



USER MANUAL

Kamille Back Support

Unique back support backrest with asymmetrical adjustments

The Kamille Back Support addresses anatomical challenges such as scoliosis, increased lateral flexion in the truncus, and asymmetric tissue, e.g., due to overweight, hernia, or edema.

The Kamille Back Support ensures comfort, stability, and functionality for wheelchair users in need of robust back support. The back support is developed by Danish occupational therapists, physiotherapists, and engineers.

User weight up to 140 kg.



- Asymmetric adjustments of the backrest
- Adjustable side supports
- Positioning of the back can be adjusted in height and depth
- High recyclability, as it can be readjusted for a new user
- Safe and stable positioning solution
- Can be mounted with or without body supports
- Compatible with most standard wheelchairs
- Can be equipped with various types of headrests.



Content

1. Safety	3
2. Symbols	4
3. General	5
4. Use	5
5. Mounting.....	6
6. Transport and storage.....	7
7. Cleaning and maintenance	8
8. Disposal.....	8
9. Warranty	9
10. Specifikationer	10
11. Accessories.....	11

1. Safety



WARNING

The Kamille Back Support should not be used without thorough instruction from trained personnel or by individuals who have received instruction in the use and adjustment of the Kamille Back Support. Incorrect use may cause harm to the user.

Read the user manual carefully before using the Kamille Back Support. Pay special attention to Safety Instructions marked with

Cobi Rehab assumes no responsibility for any damage to the product or personal injuries caused by improper use of the Kamille Back Support. Contact Cobi Rehab immediately if the back is damaged or has defects. Never use unauthorized replacement parts. Cobi Rehab cannot be held responsible for damages or improper situations arising after repairs made without written permission from Cobi Rehab.



SAFETY INSTRUCTIONS

The Kamille Back Support should only be installed by technically trained personnel or by an assistive technology consultant.




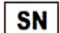




Ensure that bolts and screws are tightened.










User weight must not exceed 140 kg. Exceeding the user weight may pose a risk of personal injury and damage to the product.

Use only approved accessories.

Clean and disinfect when transitioning to a new user.

2. Symbols

	Please note!
	Declaration of Conformity under the Medical Device Directive
	Cobi catalogue number
	Serial number
	Year of manufacture
	Manufacturer
	User weight
	Consult the manual
<p>The CE label is located on the side of the frame. A copy of the CE label can be seen below.</p>	

	Cobi Rehab ApS Fuglebækvej 1D DK-2770 Kastrup Tel.: +45 70252522		Udstyr efter mål
	Cobi Kamille Ryg L 0350-999-854		 140 KG
	2398012		MADE IN EU
	2023		

3. General

This User Guide contains important information on the Kamille Back Support's use and target group. The user guide also contains a range of specifications for the Kamille Back Support.

The latest version of this User Guide can be found on our website. Check that you are using the latest version.

If you need a version printed in a larger font size, it is available in PDF format at [cobirehab.com](https://www.cobirehab.com), where it can be scaled up to the desired font size.

Please contact Cobi Rehab on +45 7025 2522 or at cobi@cobi.dk for more information about the Kamille Back Support.

Cobi Rehab reserves the right to change the product specifications without prior notice.

Product safety notices and product recalls can be viewed on the website at <https://www.cobirehab.com/kunde-hos-cobi/vigtig-produktinformation/>

4. Use

The Kamille Back Support is a safe and stable positioning solution and can be mounted on most wheelchairs and power wheelchairs in the Danish market.

Installing a new fixed back support allows the user to retain the frame and functions, such as power, on the existing seating unit.

The Kamille Back Support is used e.g., when the user's truncus stability is challenged.

The Kamille Back Support can be adjusted asymmetrically, addressing anatomical challenges such as scoliosis, increased lateral flexion, or asymmetric tissue, e.g., due to overweight, hernia, or edema.

Asymmetric Adjustment

The asymmetrical adjustment is facilitated by the three aluminum plates that make up the back system. Two of the plates can be moved independently, even though all three plates are connected.

The back system consists of the back base, which is mounted on six slots. The slots allow the back base to be adjusted in height.

Side plates (mounted on two slots) can be loosened using common tools.

High recyclability, as it can be readjusted for a new user.

Cushion System

The Kamille Back Support is equipped with a complete and unique cushion system that ensures more pressure distribution and close positioning to the body.

The cushions are filled with a combination of EPS beads and viscoelastic "foam worms," contributing to increased sensory stimuli. Each cushion has its own zipper.

Accessories for the Kamille Back Support

Body supports

Specially developed body supports, placed in slots on the back system, contribute to stable and close truncus stability, regardless of whether the user has scoliosis or decreased/increased thoracic tone.

Cover

For each size of the Kamille Back Support, there is a stretchable, breathable, washable, and comfortable viscose cover with PU coating on the inside available.

Side plates

Extra side plates for better positioning in complex cases can be mounted in two slots.

Headrest

The arm of the Kamille headrest consists of replaceable strong ball joints. The ball joints help to ensure flexibility without the headrest shifting.

Other headrest can also be compatible with the Kamille Back Support.

5. Mounting

Mounting on depot

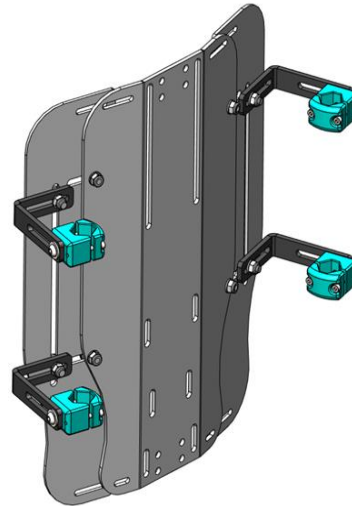
The Kamille Back Support is easy to mount. The flexibility in how the bracket can be angled allows the back to be mounted on a wide range of wheelchairs, regardless of the distance between the back pipes.

The blue brackets are designed to grip different types of wheelchair pipes.

The Kamille Back Support is compatible with padded body supports from the Cobi Rehab Kamille series.

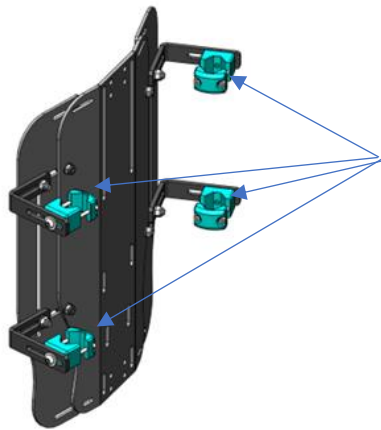
A headrest can be mounted directly on the Kamille Back Support.

If needed, a push handle can be mounted directly on the back if there is a need to remove the existing push handle.



The Kamille Back Support consist of:

1. An aluminium back in the ordered size.
2. Four complete brackets



Step 1

Loosen the four brackets.

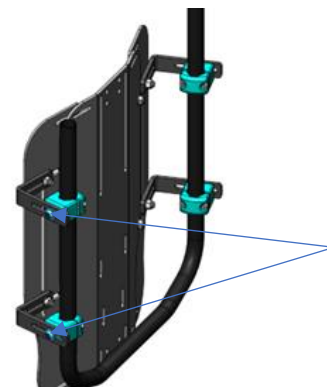


Step 2

Let the back slide down over the back pipes.



Place the back at the desired height and tighten the screws on the bracket slightly.



Adjust the depth and then tighten the screws on the side as shown above for the left side.

Tighten the remaining screws to keep the back in the desired position.

6. Transport and storage

Transport in a Motorized Vehicle

The Kamille Back Support alone is suitable for land and/or air transport.

When the Kamille Back Support is mounted on a wheelchair, suitability for transport (without the user) depends on the specific wheelchair. The Kamille Back Support is not crash-tested and therefore not suitable as a back on a wheelchair used as a seat in a motorized vehicle.

Storage (including long-term storage)

When the Kamille Back Support is not in use, it should be stored dry and protected from strong sunlight. Storage temperatures must be between 0°C to +45°C with a relative humidity of 20 - 75%.

The above recommendations for storage also apply to long term storage over 4 months.



7. Cleaning and maintenance

7.1 Cleaning and Desinfection

The Kamille Back Support and cushions can be wiped with a cloth wrung out in mild soapy water.

Disinfection

The Kamille Back Support and cushions can be disinfected with, for example, Wet Wipe 70% or a chlorine product 1000-1200 ppm.

All cushions can be replaced when transitioning to a new user.

Always disinfect the Kamille Back Support when it transitions to a new user to avoid cross-contamination.

The cover is a washable and breathable viscose cover with PU-coated inner padding.

The cover can be washed at 60° and tumble-dried.

⚠ Any local procedures regarding cleaning and maintenance must always be followed.

7.2 Maintenance

Bolts and nuts should be checked every three months. Tighten them if needed.

Contact Cobi Rehab for further maintenance of the Kamille Back Support.

⚠ Neglecting maintenance of bolts and nuts can lead to malfunctions.

8. Disposal

When the Kamille Back Support is no longer in use, it should be disposed of in an environmentally friendly manner.

Contact Cobi Rehab or the municipality for further information on disposal.

Recycling

Parts of the Kamille Back Support can be recycled. Contact Cobi Rehab for more information.

9. Warranty

The warranty period for the Kamille Back Support is **one year from the date of purchase** and covers manufacturing faults or defects upon delivery. The invoice is your certificate of warranty.

The warranty does not apply to:

- Products on which the serial number, batch number or similar have been removed or significantly defaced.
- Products that have been repaired by unauthorized personnel.

The warranty does not cover:
- wear parts.

The warranty does not apply if Cobi Rehab assesses that the Kamille Back Support has been handled in an improper manner.

In the event of damage due to incorrect use, both servicing and any necessary replacement parts will be billed.

9.1 Unintended incidents

Any unintended incident that has occurred in connection with use of the Kamille Back Support must be reported to Cobi Rehab.

9.2 After the expected service life

After the expected service life, it is important that a general assessment of the product is carried out before continued use.

After the expected service life, Cobi Rehab cannot guarantee the suitability and safety of the product, as Cobi Rehab has no control over the product's use and wear.

A general assessment of the product must be carried out by qualified professionals, considering the way in which the product has been used and the condition of the product and its components.

Cobi Rehab is able to carry out such an assessment at any time.

10. Specifikationer

User weight	140 kg
Material	Aluminium
Height	500 mm + 20,5 mm
Width	340 - 520 mm
Weight	App. 2.3 - 2.6 kg
Cover (additional purchase)	Yes
Cushion surface	Stretchable PU
Cushions filling	Viscoelastic "foam-worms" and EPS beads
Compatible with headrest and comfort arms (additional purchase)	Yes
Compatible with the Kamille padded body supports (additional purchase)	Yes
Reusable	Yes
Disinfectable	Yes
Expected product lifespan	7 years
User manuals and product sheets are available on the website and can be scaled up to a large font size for visual impairment.	

11. Accessories

Accessories	Item number
Cover for Back Support, str. S	0350-999-555
Cover for Back Support, str. M	0350-999-556
Cover for Back Support, str. L	0350-999-557
Comfort arms with weight, R	0350-999-430
Comfort arms with weight, L	0350-999-431
Comfort arms without weight, R	0350-999-432
Comfort arms without weight, L	0350-999-433
Comfort arms stretch cover, R	0350-999-575H
Comfort arms stretch cover, L	0350-999-575V
Padded body support, R	0350-999-216H
Padded body support, L	0350-999-216V
Padded body support, Small R	0350-999-217H
Padded body support, Small L	0350-999-217V
Extra padded cover for padded body support	0350-999-487
Extra padded cover for padded body support, Small	0350-999-488
Headrest	0350-999-041
Extra joint for headrest	0350-999-043
Headrest stretch cover	0350-999-551
Back extender sides and covers are also available. Contact Cobi Rehab for more information.	



COBI REHAB



FABRIKANT OG FORHANDLER

Cobi Rehab
Fuglebækvej 1D
DK-2770 Kastrup
Danmark
+45 7025 2522
cobirehab.com