



PRODUCT SHEET

Cobi Cruise Power bariatric comfort wheelchair

Cobi Cruise Power comfort wheelchair. The most powerful wheelchair on the market for use in the rehabilitation of bariatric users.

Cobi Cruise Power comfort wheelchair is used in care centres and hospitals, in home care and in private homes for bariatric users in need of a comfort wheelchair with a pressure-relieving seat.



UP TO 325 KG

- Used in all phases of rehabilitation, from the bedridden user to the mobile user.
- Cobi Cruise Power comfort wheelchair is equipped with electric propulsion, tilt-in-space and recline functions. All functions are activated via a joystick and operated by both user and caregiver.
- Fits through most doorways.
- Armrests that can swivel back or be “pushed down” for e.g., transfers or social activities at a table.
- Disinfectable and washable in laundry room at e.g., a depot or a hospital.
- Cobi Cruise Power comfort wheelchair is crash tested, according to ISO 7176-19



Cobi Cruise Power comfort wheelchair

Cobi Cruise Power comfort wheelchair is based on the challenges of a daily routine to improve quality of life for each bariatric user. Therefore, Cobi Cruise Power comfort wheelchair is tested by Danish bariatric users, thus contributing with valuable suggestions for improvement.

Driving a Cobi Cruise Power comfort wheelchair gives freedom. Freedom to move. From bedridden to independent. Cobi Cruise Power comfort wheelchair also means safety for both user and caregiver.

Functions like electric propulsion, push bar, electric tilt-in-space, and recline considerably reduce the risk of physically overloading the

caregiver, while still allowing maximum comfort, mobility, and social life for the user.

Cobi Cruise Power comfort wheelchair is designed entirely by Danish engineers and Danish occupational therapists and tested at House of Practice and Innovation at University College Copenhagen.

Cobi Cruise Power comfort wheelchair is produced in the EU and successfully tested with a 500 kg/1100 lb. load.

Cobi Cruise Power comfort wheelchair is crash tested according to ISO 7176-19.

General comments

This product sheet contains important information about the use of Cobi Cruise Power comfort wheelchair and the target group for the wheelchair. It also includes a wide range of specifications on the Cobi Cruise Power comfort wheelchair.

The most recent version of this product sheet can be found on our website. Check if the version you are reading now is the most recent.

If you need a product sheet that is written in a larger font size, the product sheet is available in PDF format at cobirehab.com, which can be scaled up to the required font size.

You can always contact Cobi Rehab on telephone +45 7025 2522 or e-mail cobi@cobi.dk if you want more information about Cobi Cruise Power comfort wheelchair.

Cobi Rehab reserves the right to change the product specifications without providing prior notice.

The UDI number of the wheelchair appears on the label, which is located on the side of the frame.

Product safety notices and product recalls can be viewed on the website.

Application

Cobi Cruise Power comfort wheelchair is designed for indoor use, e.g., in hospitals, institutions and in care homes. Cobi Cruise Power comfort wheelchair can also be used in private homes. The wheelchair has a width that allows it to pass through most doorways.

Cobi Cruise Power comfort wheelchair is intended for bariatric users up to 325 kg whose ability to stand and walk is limited.

The intended operator of the wheelchair is a health professional, such as a therapist, nurse, or a social and health worker. The intended operator could also be the bariatric user with trunk stability and the ability to drive, control and make the wheelchair stop.

Cobi Cruise Power comfort wheelchair can be used in ambient temperatures of 0°- 40°C and a humidity of 20-80%.

Cobi Cruise Power comfort wheelchair can also be used outdoors but is primarily for indoor use.

Crash tested in accordance with the ISO 7176-19 standard

Cobi Cruise Power comfort wheelchair is crash tested which means it can be used in Community Transport vehicles or adapted vehicles for transporting wheelchair users.

The wheelchair will need to be secured to the vehicle by a Transit Tie Down System (accessory).

Safe transport is a key element in a wheelchair user's ability to access medical facilities as well as to improve quality of life, by being able to enjoy day trips out and holidays.

Construction

Cobi Cruise Power comfort wheelchair is constructed from S355, high-tensile steel. The rectangular steel profiles of the chair form the basis for its base frame. The base frame is made up of two mirror-inverted parts (a right and a left part) connected by a centre module. This structure allows the sides to be reused if the width needs changing.

The seat frame of the wheelchair consists of 30x30x2 mm high-tensile steel profiles. In addition, the seat frame has a 2 mm steel seat plate attached to it, which helps to distribute the pressure in the best possible way.

The back of the wheelchair consists of a high-tensile steel profile. The profile is positioned centrally on the back of the wheelchair. The angle of the profile means that the back supports both apple-shaped and the pear-shaped users. Three back plates are mounted on the profile. The back plates are curved to hug and support the user from buttocks to neck.

Pear-shaped users with voluminous backsides are ensured good back support, as the design of the "spine" of the wheelchair and its lower back plate provide space for the backside.

The upper two back plates ensure that apple-shaped users enjoy stable and comfortable back support.

The back cushion is divided into nine modules. Each module consists of two parts. A firm foam layer and layer with a mixture of polystyrene (Krøyer) beads and latex foam.

The foam layer faces the back of the wheelchair while the bead and foam layer are the one sat on by the user. The bead and foam mixture are modular and helps to increase the comfort of the wheelchair and its pressure relieving effect.

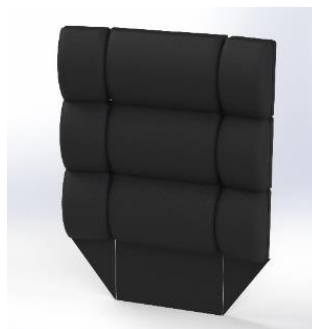
The contents of in each cushion module can be adjusted. This means that, according to professional assessment, the therapist or caregiver can add or remove beads and latex foam. If necessary, a wedge cushion can also be inserted in one or more modules. The cushion contents are adjusted via the nine zippers located on the back of the cushion.

The modular cushion follows the shape of the back plates and, thus, ensures correct support regardless of user body shape and needs.

The modular cushion can be finely adjusted using a patented FitGo system known from ski boots and work shoes. The FitGo system is located on the back plates.



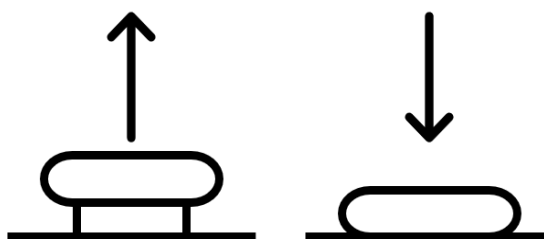
Curved plates hug and support the user from buttocks to neck.



The back cushion is made up of nine modules sewn into one large cushion.



Each module consists of a firm foam layer and a layer of beads and latex foam.



The FitGo system comprises an adjusting knob. The button is activated when pressed. If the button is to be loosened, pull it upwards and the cord pull is then released.

The seat cushion

The base of the seat cushion consists of hard foam. The core of the seat cushion consists of memory foam specially selected for the target group.

The top is made of soft foam. The seat cushion is upholstered with a flame retardant incontinence cover.

Push bar

The push bar is flexible and adjustable, using a click system. Major adjustments can be made with tools. The bar has several grip points, depending on whether the chair is to be pushed or manoeuvred.

Armrests

Extra-long armrests (615 mm) ensure stability and a good grip when the user moves from a standing to a sitting position or vice versa.

The armrests can swivel back, making it easier to move the user from e.g., the chair to the bed. The armrests can also be pushed down making it possible to move the wheelchair close to the edge of a table, allowing the user to participate in social activities there.

The armrests are padded for extra comfort and "cup-shaped" thus reducing the risk of pressure ulcers. Each armrest can withstand a maximum load of up to 200 kg.

Leg rests

The leg rests each support up to 200 kg and are adjustable in both height and position. They also have a swivel function that allows easier access to and from the wheelchair.

The angle of the foot plates, the height/angle of the leg rest and the angle of the calf plates can be adjusted without tools.

The position of the foot and calf plates is adjusted using a 10 mm closed spanner and a Torx 25. The closed spanner and the Torx 25 are not included in the purchase of the wheelchair.

The flexibility of the leg rests means that the user's legs can always be supported. This benefit, among other, users with a significant tissue on their inner thighs.

The leg rests may be removed without the use of tools without affecting stability.



The seat cushion is made up of three different types of foam.



Swiveling arm rests allow positioning near table.



Leg rests each supporting up to 200



The leg rests can be dismantled without using tools.

Neck support

The wheelchair neck support is an option. The wheelchair is supplied with a universal neck support bracket, allowing for the installation of different types of neck support.

Wheels

Cobi Cruise Power comfort wheelchair is equipped with two 12,5" massive tyres in grey nylon rubber that does not mark floors. The tyres are mounted on aluminium rims.

Brakes

The brake of the Cobi Cruise Power comfort wheelchair is integrated into the motor. This means that when the joystick is disengaged, the wheelchair stops.

Actuators

The Cobi Cruise Power comfort wheelchair has three actuators. Two seat actuators and a back actuator. The two seat actuators control the tilt-in-space function. The seat actuators are installed under the seat.

The back actuator controls the recline function. The back actuator is also installed under the seat.

Anti-tip

Cobi Cruise Power comfort wheelchair is installed with anti-tip that can be adjusted to suit the terrain.

Charger

The Cobi Cruise Power comfort wheelchair must be charged until the battery indicator reaches 100%. A full charge can take up to six hours.

During charging, the functions of the wheelchair cannot be used.

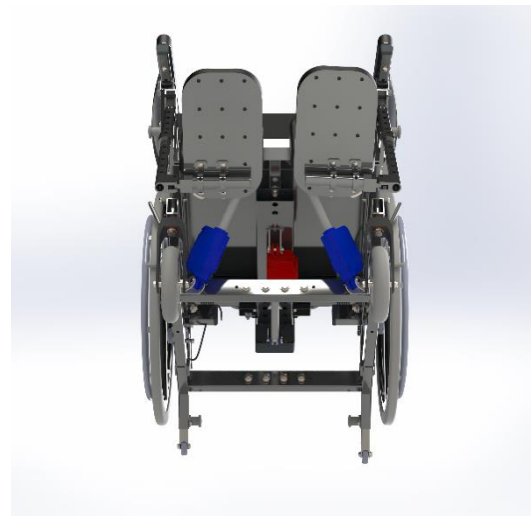
The control box

The electronics are IPX4-classified. This means that the wheelchair and its components can withstand a light rainfall.

The electronics of the wheelchair does not disturb the operation of units in the surrounding environment which emit electromagnetic fields, e.g., alarm systems in shops, automated doors, etc.



A universal neck support bracket permits the installation of several types of neck supports.



Two actuators (marked blue) control the tilt-in-space function. One actuator (red) controls the recline function.



The electronics of the wheelchair do not affect electromagnetic fields emitted by e.g., laptops and electricity generators.

Electric tilt-in-space and recline

Negative tilt helps the independent user in safely getting in and out of the wheelchair. Negative tilt means that the front of the seat cushion is lowered. This reduces the access height which, in turn, makes getting in and out easier for the independent user.

The function negative tilt is activated using the joystick.

Joystick

The supplied joystick allows care staff and user to manoeuvre the wheelchair and to adjust the angle of the seat and back (tilt-in-space $-4-13^{\circ}$ and $90-120^{\circ}$ recline).

The joystick is installed on the supplied swivel bracket and can be positioned on either the inside or the outside of the armrest.

The joystick has:

- An on/off button
- A button with a horn
- A display showing the battery capacity, time, speed, and travel mode
- two buttons marked *Mode* and *Profile*
- a twin button for controlling speed.

Display

The battery capacity is displayed at the top. Avoid travelling long distances on low battery capacity.

At the bottom, a number between 1 and 3 is displayed. The number indicates the travel mode, where 1 is manoeuvring, 2 is indoor and 3 is outdoor. Each travel mode has five speed increments. The speed in kilometres is displayed above the five speed increments. The speed is displayed in numbers and illustrated with a speedometer.

Profile switches between travel modes 1 to 3.

Press *Mode* to switch between travel and seat and back adjustment. Use the up-down movement of the joystick to control the tilt-in-space function. Switch between the tilt-in-space and recline function by moving the joystick right or left.

When the back and seat are tilted into an unstable function, speed options are restricted. This is indicated by an orange or red turtle being displayed.



Recline provides the apple-shaped user with supported and comfortable seating. When the back of the wheelchair is tilted backwards, the pelvis of the user is automatically opened. This provides improved respiration for apple-shaped users.

The recline function is controlled using the same joystick as for the electric tilt-in-space function.

An extra joystick controlling the same functions can be installed on the push bar. This joystick can also determine who controls the wheelchair. In this way, the user's option of controlling it can be activated or deactivated.



Travel

The wheelchair can reach a speed of up to 6 km/h.

The maximum range is approx. 9 km at full load. The theoretical manoeuvring distance is 3.9 km at full load.

Maintenance and cleaning

Cobi Cruise Power comfort wheelchair is easy to clean. If the seat needs disinfecting, remove, and disinfect it using ethanol 70-85% or a chlorine product of min. 1000 ppm and max. 10000 ppm.

Clean the frame, seat and arm rests of the wheelchair using water and a regular cleaning agent.

Transport and storage

When the wheelchair is not in use, store in a dry place at a temperature between -10°- 50°C.

Cobi Cruise Power comfort wheelchair is suitable for land transport (when not accommodating a user). Cobi Cruise Power comfort wheelchair cannot be folded as it has a fixed frame.

To avoid injuries to e.g., the back, we advise against carrying the 120 kg wheelchair.

The wheelchair can be lifted by the frame if it is to be transported (without a user) in a motorised vehicle.

Long-term storage

When storing Cobi Cruise Power comfort wheelchair for longer periods of time (3+ months), store the wheelchair at 0° - 30° degrees and in a humidity not exceeding 75%.

We recommend charging the battery to 40-60% prior to storage.

When putting Cobi Cruise Power comfort wheelchair into use again after long-term storage, connect it to the power outlet and charge it for at least two hours.


Keep an eye on the battery capacity as the battery will discharge over time.

The wheelchair can traverse edges and doorsteps of up to 50 mm. Cobi Cruise Power is also built to be able to drive up and down hills and ramps of a 10° incline.

For the user, it means freedom to get around both indoor and outdoor.

The controller can be disinfected using ethanol 70-85% or a chlorine product of min. 1000 ppm and max. 10000 ppm.

Cobi Cruise Power comfort wheelchair can be disinfected or washed in a laundry room at e.g., a depot or a hospital.

 All electronics must be removed from the wheelchair before being washed in a laundry room.

Crash tested

Cobi Cruise Power comfort wheelchair has been crash-tested. This means that it can be used as a seat for a bariatric user in a motor vehicle.

Fasten the wheelchair in the motorised vehicle using the supplied Tie-Down brackets. The four brackets are marked with the Tie-Down symbol and have four points.

Lower the seat of the wheelchair to its lowest position to reduce the risk of damage.



Only use the Tie-Down bracket with approved attachment systems that comply with EU 214/2014.

Specifications

| | |
|--|--|
| Max. user weight | 325 kg |
| Risk class | I |
| Basic UDI DI | 5740000100023N6 |
| Wheelchair class | A |
| Expected product service life | Minimum 7 years |
| Crash-tested | Yes, according to ISO 7176-19 |
| Seat depth | 480-600 mm, at 30 mm intervals |
| Back angle | 90°- 120°, continuously variable |
| Seat angle | -4 - 13° |
| Height from front of seat to ground (Height stated without cushion. Add 100 mm if cushion included) | 337-551 mm |
| Height of back rest | 613 mm |
| Max. length excl. footrests / incl. footrests | Approx. 1246 mm - 1773 mm |
| Min. length excl. footrests / incl. footrests | Approx. 987 mm - 1054 mm |
| Seat width | 550-800 mm, at 50 mm intervals. 100 mm between 700 and 800 mm |
| Max. total width | 676-926 mm |
| Max. total height | 1115 mm |
| Max. weight of wheelchair | 120 kg |
| Max. height of curb which the wheelchair can safely traverse | 50 mm |
| Max. downhill inclination | 10° |
| Max. uphill inclination | 10° |
| Max. sideways inclination | 10° |
| Massive tyres | Nylon tyres with PU core |
| Speed at electric propulsion | 6 km/h |
| Theoretical continuous distance at max weight capacity | Approx. 9 km |
| Theoretical manoeuvring distance | 3.9 km |
| Frame tubing (material) | Type-S355, high-tensile steel |
| Seat cushion filling | CMHR 50250 (base), Visco 45060 (core), CMHR 4038 (top), flame-retardant |
| Back cushion filling | CM 2740 (base), Cut latex and EPS-beads (the front), flame-retardant |
| Back and seat cushion | Covered in incontinence cover (G469 black), flame-retardant |
| Arm rest cushion | Foam (CMHR4250 and RF5060), cover durable imitation leather (Temskay Leather), flame-retardant |
| Cushion in foot and lower leg support | Foam (CMHR4038), cover durable imitation leather (Temskay Leather), flame-retardant |

| | |
|---|--|
| Push bar | Type-S355, high-tensile steel |
| Wheel forks | Aluminium |
| Footrest tubing | Steel |
| Foot plate | Type-S355, high-tensile steel |
| Turning radius (Pivot) | 100-120 cm |
| Foldable | No |
| Battery | Lithium 50 Ah 24V |
| Three actuators | LINAK LA23 |
| Control box | LINAK |
| Controller | Curitss-Wright R-net PM120 |
| Electric wheelchair, including components | DS/EN 12184: 2014, according to ISO 7176 |
| IP-code | IPX4 |
| Risk assessment | EN/ISO 14971: 2012 |
| General requirements and test methods | EN 12182:2012 |

| Accessories and spare parts | Part number |
|--|---|
| Leg rest R | 0115-999-006 |
| Leg rest L | 0115-999-007 |
| Cobi Cruise Power IV-holder with installation bracket(s) | 0115-999-090 |
| Neck support | Contact us for the choice of neck support |

Ordering

| Version | Seat width mm | Seat depth mm | Max. total width mm | Item number |
|---------------------------------|---------------|---------------|---------------------|--------------|
| Cobi Cruise Power with joystick | 550 | 480-600 | 670.6 | 0116-055-000 |
| Cobi Cruise Power with joystick | 600 | 480-600 | 720.6 | 0116-060-000 |
| Cobi Cruise Power with joystick | 650 | 480-600 | 770.6 | 0116-065-000 |
| Cobi Cruise Power with joystick | 700 | 480-600 | 820.6 | 0116-070-000 |
| Cobi Cruise Power with joystick | 800 | 480-600 | 920.6 | 0116-800-000 |



COBI REHAB[®]

The Positioning Company



MANUFACTURER

Cobi Rehab
Fuglebækvej 1D
DK-2770 Kastrup
Denmark
+45 7025 2522
cobirehab.com