



BRAKE THE ISOLATION

MobiBed

MobiBed is a flexible product which quickly can be adjusted to the user's need for social participation, rest, sitting or lying down.

The mobile rest trolley can increase the quality of life for many users. Safely and therapeutically, it allows the user to participate in social activities with an easy possibility for rest and safe positioning whenever needed. For staff it is easy to drive and maneuver. Angles and height can be adjusted with a remote control.



- ✓ Possible to adjust height, back and foot support with the remote control.
- ✓ The height ensures better working conditions for the staff.
- ✓ Used in institutions in Scandinavia since 2017.
- ✓ Cushions for individual positioning.
- ✓ Additional positioning cushions available.
- ✓ Three length settings in the back part and three in the seat part.
- ✓ Recommended up to 185 cm user height.
- ✓ Bedrails available.
- ✓ Puncture free tires.
- ✓ Quiet, durable control system.
- ✓ Anti-tip.



MobiBed

General information

This user manual contains important information about the use of MobiBed and the target group for the wheelchair. It also includes a wide range of specifications on MobiBed.

The most recent version of this user manual can be found on our website. Check if the version you are reading now is the most recent.

If you need a user manual written in a larger font size, this user manual is available in PDF format at [cobirehab.com](https://www.cobirehab.com), which can be scaled up to the required font size.

You can always contact Cobi Rehab on telephone +45 7025 2522 or e-mail cobi@cobi.dk if you want more information about MobiBed.

Cobi Rehab reserves the right to change the product specifications without providing prior notice.

The UDI number of the wheelchair appears on the label, which is located on the side of the frame.

Product safety notices and product recalls can be viewed on the website (<https://www.cobirehab.com/kunde-hos-cobi/vigtig-produktinformation/>).

Temperature

MobiBed can be used in temperatures from -5 - 40°C and a humidity below 75%. The surface temperature can rise when MobiBed is exposed to external heat sources, e.g., sunlight.

Application

The MobiBed is a flexible product for the positioning of persons with reduced mobility in need of varied positioning options.

The MobiBed with insert cushions is used to provide safe and therapeutical positioning whenever needed. It can quickly be adjusted to the user's need for social participation, rest, sitting or lying down.

The maximum user weight is 90 kg.

The MobiBed has a width that allows it to fit through ordinary doorways.

The intended operator of MobiBed is a health-trained professional, e.g., a therapist, nurse, or a nursing assistant.

Indoor use

The MobiBed is intended for indoor use. In certain instances, the MobiBed may be used outdoors on flat surfaces such as terraces etc.

The MobiBed cannot be used as an outdoor means of transport over longer distances as it is not designed for use in uneven, hilly, or sloping terrain or in water.

Contraindications

Do not use the MobiBed for persons who are able to transfer themselves.



Minimum length



Maximum length

One product – many options

The MobiBed has several adjustment options.
MobiBed

- is adjustable in terms of the length of the seat and back and may be adjusted to fit both children and adults.
- is adjustable in terms of height to suit the needs of the user and/or the working environment for the staff.
- provides good seated and supine positions using the insert cushions, creating stability and a feeling of security.
- has adjustable back and foot support, providing positioning options from horizontal position to 60° seated position.
- is an alternative to a wheelchair, bed, mattress, bean bag, etc.
- is a social tool, as resting does not require a stationary location.

Mobile Bed

The MobiBed is equipped with four wheels with puncture free tyres. The front wheels are mounted in a pivoting wheel fork and can turn a vertical 360° which makes the MobiBed easy to manoeuvre. The rear wheels are mounted on a fixed horizontal axis. The rear wheels have brakes.

MobiBed is equipped with anti-tip that can be adjusted to suit the terrain.

Insert cushions

To provide the user with the greatest possible support and comfort, the insert cushions must be at the same height in the frame. This means any difference in height must be eliminated.

The insert cushions are filled with latex and polystyrene pearls, known as Krøyer beads. This mix may lose volume over time.

Therefore, an extra bag of filling can be ordered to adjust the height of the cushions.

Extra filling can be ordered at cobi@cobi.dk or tel. + 45 7025 2522.

Load

User and possible extra equipment must not exceed the maximum weight of 120 kg. MobiBed is only intended for one user with a maximum user weight of 90 kg.

Use of lift

When using a mobile lift, raise the position of the MobiBed to allow the “legs” of the mobile lift to clear the lift arm under the MobiBed.

Transport by car

Use a lift or ramp when loading and unloading if the MobiBed is to be transported in a motorized vehicle.

The user must never stay in the MobiBed while it is being transported. Not even if the MobiBed is

well secured during transport. The MobiBed is not crash tested.

Fastened during transport

The MobiBed is equipped with six fastening points that are used for securing the MobiBed to the floor of the vehicle.

The cushion frames

Place the insert cushion in the cushion frame/rail. The upper back of the cushion frame, the seat, and the bottom part of the foot support are equipped with a bar that keeps the cushion/mattress in place.

Brakes and wheels

The MobiBed is equipped with braking rear wheels and non-braking front wheels.

The brake is a drive brake. It is not sufficiently strong enough to brake and park the MobiBed on a sloping surface.

The brake is operated by the brake grip mounted on the handlebar. All four wheels are equipped with puncture free tyres.

Use of belts

MobiBed with a belt is to be used during transport as well as when the MobiBed is parked. For safety the use of belt is also recommended for users during regular use.

The use of two crossing belts is recommended for restless users or users with involuntary movements while using the MobiBed.

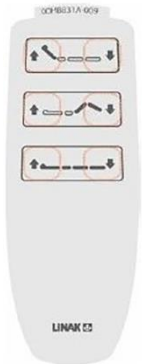
The belt is fastened on the upper frame of the MobiBed and not the bottom frame.

Using the MobiBed

Controller

The elevating functions of the MobiBed are activated using the controller.

The functions of the buttons:



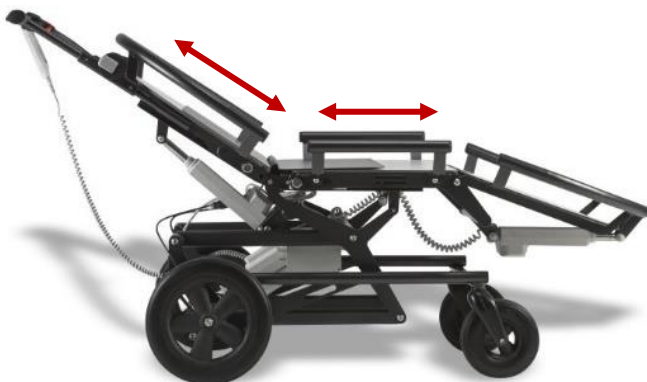
- Top: Adjust the back angle
- Middle: Raise or lower the leg rest
- Bottom: Raise or lower the entire MobiBed

When the controller is not in use, hang it on the hook on the handlebar.

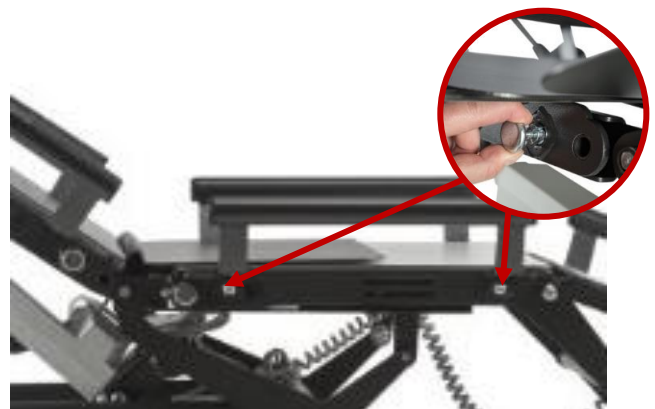
Adjusting the length of the MobiBed

The seat or back of the insert cushion frame may be adjusted lengthwise.

There are three options for positioning the back and three options for positioning the seat, providing a total of nine adjustments of length.



1. Remove the insert cushion.

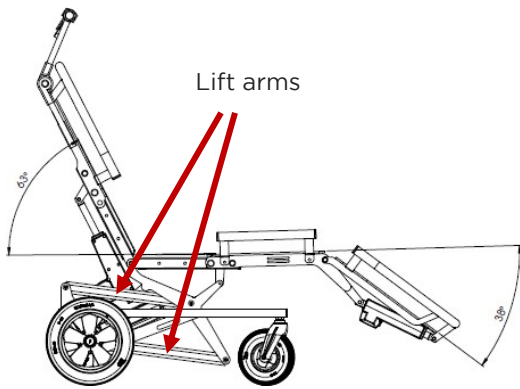


2. On both sides of the bottom of the frame, there is a positioning bolt for the seat and the back. Turn the bolts to the unlocked position.



3. Grab the frame and pull it or push it to the desired position. Lock the bolts on both sides again. Pull or push the frame again until you hear a click. The frame is now locked in position.

Adjusting the length of the MobiBed



The MobiBed may be continuously adjusted using the lift arms and the electric control unit and battery, actuators, and controller.

The elevating function of the MobiBed, the back of the cushion frame and the foot support are controlled using the controller.

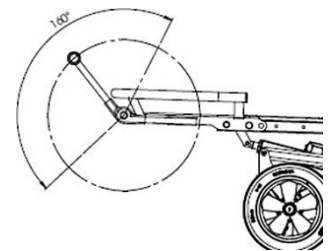
When reaching the extreme positions, the elevating function automatically stops.

Use a ramp when loading the MobiBed into a motorised vehicle.

The handlebar

The height of the MobiBed handlebar may be adjusted in two ways. By using the controller and by a step-by-step tilting of the handlebar itself.

A grip (called a knee joint) is located on each side of the vertical control bar. This may be loosened to adjust the tilt of the handlebar.



The brake system - adjustment

The brake system is adjusted by turning the adjustment screw. Pull the brake cable downwards and then turn clockwise (inwards). This reduces the braking power. If you turn anticlockwise (outwards) the braking power is increased.

Check that the brake cable is not caught between the groove of the adjustment screw and the brake housing. The grooves must not be abreast of each another.



Installation of belts

The MobiBed is not equipped with guard rails. Always secure the user with one or two belts, depending on the movements of the user. Place the belt across the hip or have them across each other, if two belts are used.



Place the belt across the hip of the user and fasten it as illustrated below.



Module insert cushions



The insert cushions for the MobiBed are available in various sizes. They are made from comfortable materials and have removable and washable covers.



On the inside, the insert cushions are equipped with a water-repellent and antibacterial polyester cover.

The cushions are equipped with a non-slip base, ensuring that they stay in place. No extra straps or buckles are required for fastening.

The module insert cushion is constructed from three modules and is comparable to a bean bag. The modules are malleable and adapt to the user and the base. This

provides support and comfort in both seated and supine positions e.g., to users with scoliosis or other severe deformities.

The inside of the back module is constructed from two separate cushions. The filling of Module A (the smaller cushion) is firmer for the support of head and neck. The filling of Module B is less dense which makes it more flexible. Module B may be moulded to fit the shape and needs of the user.

The user may be placed in either a supine or a sideways position. Always use a lift when transferring the user to and from the MobiBed.



The MobiBed is not equipped with a guard rail. Therefore, always use a belt when a user occupies the MobiBed.



Shape the insert cushion before placing the user in the MobiBed. In that way, the user is positioned deep into the material and provided with the optimum support.



Example of supine position with arms supported by a Lasal crescent cushion. The module insert cushion adapts to the shape of the user and supports the body, legs, and feet.



Positioning cushions support the head and the arms as well as the topmost leg.

Mattress with positioning cushions

The mattress consists of a tempraflex viscoelastic foam mattress on which the bedding of the user is built up using loose positioning cushions. In this way, an individualised position may be established for the user.

The positioning cushions may also be used for positioning the user in the user's bed.

The Tempraflex mattress is available in three lengths and is equipped with an inside water-repellent and antibacterial polyester cover.

The mattress is also equipped with a non-slip base, ensuring that it stays within the frame. Therefore, no extra straps or buckles are required for secure fastening.



The outer cover on the top part, which is the back, is equipped with straps for the fastening of positioning cushions.



Straps and belts keep the user and the positioning cushions in the desired position.



Depending on the position and the needs of the user for support, the loose positioning cushions are placed to create a nest.



The positioning range for The MobiBed combined with the LASAL cushions provide the best individual positioning options.

MobiBed positioning cushions are filled with EPS beads in a water-repellent and antibacterial polyester cover. The cushions are available with removable and washable covers.



Wedge Cushion



Neck Cushion



Gouda Wedge Cushion



Triangle Cushion

Maintenance

Clean the MobiBed using a soft cloth and water, possibly adding a small amount of dish soap or the like.

Raise the MobiBed to maximum height so that the tiltable cushion frame is at more than 45° and the foot support is elevated to 20°. This way, all surfaces are accessible. Remember to activate the brake during cleaning.

Clean wheels and wheel suspensions if needed.

Cleaning of the cushions

The coverless insert cushion is made from 100% PU-covered and fire-repellent polyester. Clean the cushion with a soft cloth and water with a mild detergent added. The insert cushion cannot be washed in the washing machine.

Disinfection

Disinfect the surfaces of the insert cushions using single-use cloths with ethanol or a chlorine product of 1000-1200 ppm.

Always disinfect the insert cushions when preparing for a new user to avoid cross-contamination.

Transport and storage

When MobiBed is not in use, store in a dry place at a temperature between -5° to 40°C.

MobiBed is suitable for land transport (when not accommodating a user). MobiBed cannot be folded as it has a fixed frame.

Long term storage

When storing MobiBed for longer periods of time (3+ months), store the MobiBed at -5 to 40° degrees and in a humidity not exceeding 75%.

When taking MobiBed into use again after long-term storage, connect it to the supply and charge it for minimum 30 minutes.

Keep an eye on the battery capacity as the battery will discharge over time.

Disinfection

Disinfect the surfaces of the MobiBed using single-use cloths with ethanol or a chlorine product of 1000-1200 ppm.

Always disinfect the MobiBed when preparing for a new user to avoid cross-contamination.

Outer covers for insert cushions

Two types of outer covers are available:

1. Grey cover (Lenzing/Tencel). Washable at 60°C. Tumble-dry at low heat.
2. Black cover (100% polyester). Washable at 40°C. Do not tumble-dry.

Specifications

Max. length with handlebar and foot support fully extended	2150 mm
Max. width of the MobiBed measured across cushion frame bar	720 mm
Height of cushion frame measured from floor to top of bar Lowest position / Highest position	550 mm / 850 mm
Cushion frame length (min. and max. length)	1460 mm/ 1830 mm
Max. reclining dimension mattress fully extended (height max. 172 cm) with Mobilia Module Insert Cushion (person height max. 180 cm)	1835 mm 1930 mm
Wheelbase between front and rear wheel measured from the middle of axle to middle of axle 720 mm	720 mm
Total weight without inserts cushions 55 kg	55 kg
Load capacity: Safety tested to	120 kg
Utilization weight (max. person weight) recommended	90 kg
Front wheel/ Rear wheel diameter, puncture free	200/300 mm
Bedrails	Additional purchase
Anti-tip	Yes
Actuator, motor, lift, back tilt, and leg tilt - LINAK LA40-100 24 V	Load 4000 N
Control box - LINAK CA41 - SMPS - IPX6	24 V
Built-in charger in control box. To charge connect: 100V/240V	100V/240V
Manual control LINAK HB83 3-way	
Crash tested	No
Expected product service life	7 years
Basic UDI-DI	5740000100013N3
UDI-DI	5740000105439
Risk class	1
ISO EN 12182: 2012, EN 1970:2002, EN 1970/A1:2005, EN 60601-1/Corr. 1 + Corr. 2: 2008, EN 60601-1-2:2007, EN ISO 10535:2007, EN ISO 12952:1998, EN ISO 12952-3: 1998	
Minimum dimension, e.g., packed for transport, folded together and lowered to the lowest position, back raised to maximum, lowest foot support and handlebar pushed fully forward.	(L)1340 X (B) 720 X (H) 1070
Scalable user guide available on the website for visually impaired.	

Ordering

Model	Length mm	Width mm	Height mm	Black cover	Gray cover	Item number
MobiBed (Max height user 1800)	2150	720	500-735			0316-100-000
Module AB Back cushion size S	500	650	100/170/260	0316-4121-025	0316-4121-015	0316-4121-000
Module AB Back cushion size M	640	650	100/170/260	0316-4221-025	0316-4221-015	0316-4221-000
Module AB Back cushion size L	690	650	100/170/260	0316-4321-025	0316-4321-015	0316-4321-000
Module C Seat cushion size S	480	650	170/100	0316-4131-025	0316-4131-015	0316-4131-000
Module C Seat cushion size M	620	650	170/100	0316-4231-025	0316-4231-015	0316-4231-000
Module C Seat cushion size L	680	650	170/100	0316-4331-025	0316-4331-015	0316-4331-000
Modul D Foot cushion one size	510	650	100/170/260	0316-4141-025	0316-4141-015	0316-4141-000
Mattress, size S	1480	650	70	0316-4151-025	0316-4151-015	0316-4151-000
Mattress, size M	1630	650	70	0316-4251-025	0316-4251-015	0316-4251-000
Mattress, size L	1830	650	70	0316-4351-025	0316-4351-015	0316-4351-000

Accessories

Accessories	Length	Width	Height
Triangle Cushion including cover	86 cm	24 cm	21 cm
Wedge Cushion, including cover	45 cm	64 cm	10 cm
Gouda Wedge Cushion, including cover	30 cm	31,5 cm	4 cm
Neck Cushion, including cover	36 cm	6,5 cm	10 cm
Belt, size S	125 cm	10 cm	
Belt, size L	137 cm	10 cm	



COBI REHAB[®]
The Positioning Company



MANUFACTURER

Cobi Rehab
Fuglebækvej 1D
DK-2770 Kastrup
Denmark
+45 7025 2522
cobirehab.com