



## USER MANUAL

# Eclipse – Bariatric Wheelchair

**Manuel wheelchair in timeless design intended for users up to 270 kg.  
Also available in a reinforced version for user weight up to 450 kg.  
Customization options.**

Eclipse Wheelchair is intended users in need of a comfort wheelchair with a pressure-relieving seat in care centers, hospitals and private homes.



- Used in rehabilitation of the mobile user.
- Possible to adjust the seat depth and inclination as well as the angle of the backrest.
- Extended armrests (accessory) make it easier to get in or out the wheelchair.
- Disinfectable.
- Fits through most doorways.



# Table of content

1. Safety .....	3
2. Symbols .....	5
3. General comments .....	6
4. Use .....	6
5. Construction .....	7
6. Assembly and adjustment .....	9
7. Illustration of adjustment options .....	11
8. Cleaning and maintenance .....	19
9. Transport and storage.....	19
10. Recycling and disposal.....	20
11. Warranty .....	20
12. Specifications.....	21
13. Accessories and spare parts .....	22
14. Troubleshooting .....	23

# 1. Safety

---



## WARNING

Do not use Eclipse Wheelchair without thorough instructions from trained staff or from persons who have received instruction in the use of the wheelchair. Improper operation may injure the user.

Using Eclipse Wheelchair for people weighing more than the maximum user weight of 270 kg (reinforced version 450kg) increases the risk of damaging the wheelchair.

Read this user manual carefully before using the Eclipse Wheelchair. Pay particular attention to Safety Instructions marked .

Cobi Rehab assumes no responsibility for any damage to the product nor for personal injury caused by incorrect installation, incorrect mounting, or incorrect use of the Eclipse wheelchair.

Immediately contact Cobi Rehab if parts are damaged or missing. Never use your own spare parts.

Cobi Rehab cannot be held responsible for errors or accidents occurring after repairs are made without written permission of Cobi Rehab.



## SAFETY INSTRUCTIONS

In this user manual, the symbol  indicates a safety instruction. Follow safety instructions carefully.

It is the care staff who assess whether the user for safety reasons should be restrained in the Eclipse Wheelchair during use.

Users without a stand and walking function must always be lifted in and out of the Eclipse Wheelchair.

Eclipse Wheelchair has a user weight of 270 kg (reinforced version 450kg).

The surface temperature can rise when the Eclipse Wheelchair is exposed to external heat sources, e.g., sunlight.

The widest Eclipse models may have difficulty passing through regular doors and emergency exits due to their width.

Do not tilt Eclipse Wheelchair without assistance.

Never stand on the frame of the Eclipse Wheelchair.

Do not stop an Eclipse Wheelchair from moving using the wheel brakes.

Lock both wheels when moving to and from the Eclipse Wheelchair.

Only use the Eclipse Wheelchair on even surface.

## SAFETY INSTRUCTIONS, CONTINUED

Do not use the Eclipse Wheelchair on ramps or slopes that slope more than 9°.

Do not drive on ramps or slopes covered with ice, oil, or water.

Do not lift the Eclipse Wheelchair in the detachable parts (armrests, wheels, backrests, footrests, etc.).

Do not remove the anti-tip supports.

Do not use the footrests to stand on during entry and exit of the Eclipse Wheelchair.

The user must not attempt to reach objects that require the user to move forward in the seat.

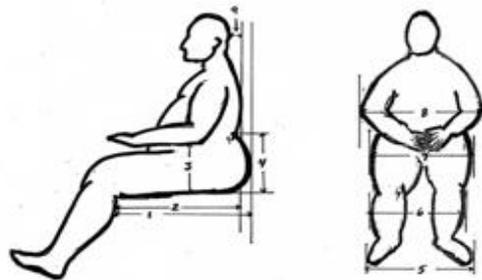
The user must not try to pick up objects from the floor if it means that the user must reach down between his knees.

The user must not try to reach objects behind the wheelchair by leaning backwards over the backrest.

## Measurement of user

Measurement of the user is always done in a sitting position.

For help with measuring the user, please contact one of our therapists / consultants at [cobi@cobi.dk](mailto:cobi@cobi.dk).



### Risk of pinching

Avoid squeezing the user's tissues and fingers when adjusting e.g., armrests or when using the leg rest's swing-away function.

## 2. Symbols

---

	Caution!
	Declaration of conformity, Medical Device Regulation, EU 2017/745
	Manufacturer
	Medical device
CE label on the product is located on frame. See example of label below.	



## 3. General comments

---

This user manual contains important information about the use of Eclipse Wheelchair and the target group for the wheelchair. It also includes a wide range of specifications on Eclipse Wheelchair.

The most recent version of this user manual can be found on our website. Check if the version you are reading now is the most recent.

If you need a user manual written in a larger font size, this user manual is available in PDF format at [cobirehab.com](https://www.cobirehab.com), which can be scaled up to the required font size.

You can always contact Cobi Rehab on +45 7025 2522 or [cobi@cobi.dk](mailto:cobi@cobi.dk) if you want more information about Eclipse Wheelchair.

Cobi Rehab reserves the right to change the product specifications without providing prior notice.

The basic UDI-number of Eclipse Wheelchair is found in the specification list.

Product safety notices and product recalls can be viewed on the website (<https://www.cobirehab.com/kunde-hos-cobi/vigtig-produktinformation/>).

## 4. Use

---

Eclipse Wheelchair is designed for indoor use in e.g., hospitals, institutions and in nursing homes.

The wheelchair can also be used in private homes and outdoors.

 The large models may have difficulty getting through doorways due to their width.

Eclipse Wheelchair is intended for users up to 270 kg (reinforced version up to 450 kg) who have limited standing and walking abilities.

The intended operator of the Eclipse Wheelchair is a health professional, such as a therapist, nurse, or care giver.

Intended operator can also be the bariatric user with trunk stability and functional ability to drive, steer and, use brakes on the wheelchair.

Eclipse Wheelchair can be used in environments with a temperature from 0-40°C and in a humidity between 20-75%.

### Before use

When using the Eclipse Wheelchair, the user and the therapist or another healthcare professional, should perform a variety of balance and transfer exercises to understand the safety limits of the wheelchair.

### Contraindications

Users with cognitive impairments should be monitored and guided in the use of Eclipse Wheelchair.

 Eclipse Wheelchair is not intended for users who cannot sit down for a longer period.

Eclipse Wheelchair is not suitable for the extrovert reacting user.

## 5. Construction

---

Eclipse is a manual fixed frame wheelchair, which is built with a strong steel frame, which provides maximum strength, rigidity, and long durability. It is designed so most of the user's weight rests on the rear wheels.

The tires are massive, which makes propulsion and steering easy.

Eclipse Wheelchair is equipped with anti-tip supports, leaving the user without the risk of the wheelchair tipping when getting in and out the wheelchair. The seating plate is solid and makes it easier to exit the wheelchair.

Eclipse Wheelchair can be extended in the seat width by means of an Eclipse Grow-kit. The extension ensures that the wheelchair is still usable in case of weight gain or for conversion to a new user.

Eclipse Wheelchair can also be reinforced to a user weight up to 450 kg. For this purpose, the wheelchair can be supplied with strong, auxiliary disc brakes.

### Customization options

Eclipse Wheelchair can be customized with different backrest systems meeting the needs of the different users.

The strap back is designed so that users with a voluminous posterior obtain good lumbar support.

Eclipse Wheelchair has adjustable seat depth, seat height and seat angle, which provides several adjustment options for the individual user.

A standard Eclipse Wheelchair is delivered without footrests but can also be ordered with swing-away footrests or elevating footrests with calf support.

Eclipse Wheelchair is equipped with extended armrests making it easier for the independent user to get in or out the wheelchair.

The armrests can be strengthened further.

All these options meet the needs of different bariatric body types, allowing the user:

- To drive the wheelchair forward
- To get safely in and out of the wheelchair
- To walk the wheelchair

Eclipse Wheelchair can be used with different types of seat cushions.



Anti-tip support.



Eclipse Grow-kit.



Elevating leg rests with calf support.



Prolonged armrests.

## Stability and balance

Always keep the wheelchair as stable as possible, so proper balance is maintained. The wheelchair is designed to stay upright during normal everyday activities if user do not move beyond the centre of gravity.

### Safe handling of Eclipse Wheelchair

Many activities will require user to reach, lean or transfer in and out of the wheelchair. These movements will cause a change to the normal balance, centre of gravity and weight distribution of the wheelchair. Therefore, practice leaning, reaching and transfer activities before the user attempts an active use of the wheelchair.

With attention to technique and practice of transfer techniques, the user can feel safe and get around safely.



The construction of the Eclipse Wheelchair secures stability and balance.

## Transfer to and from other seats

1. Position the wheelchair as close as possible alongside the other seat, with the front casters pointing toward it. Engage wheel locks. Shift body weight into seat with transfer.
2. During independent transfer, little or no seat platform will be beneath the user. Use a transfer board if possible.



Fig. 1 - Transfer to and from other seats.

## Change of weight distribution

To become familiar with the specific safety limits of the wheelchair, the user should practice various combinations of bending forward, reaching out, and moving to all sides with qualified caregivers before actively using the wheelchair alone.

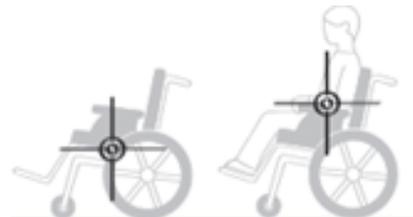


Fig. 2 Change of weight distribution.

## Reaching out, leaning, or bending forward

Proper positioning is essential for the safety of the user.

When reaching, leaning, bending forward, it is important to use the front casters as a tool to maintain stability and balance.

**⚠** Do not attempt to reach or pick up objects if it means moving forward in the seat or reaching down between the knees.



Fig. 3. Reaching out, leaning, or bending forward in Eclipse Wheelchair.



## 6. Assembly and adjustment

---

Upon receipt, check that the cardboard box contains

- One Eclipse frame with two rear wheels with quick-release axles, and two front castors
- Two anti-tip tubes
- One pair of armrests

- One Eclipse wheelchair back with built-in push bar.

If footrests, headrest, or Transit Tie-Down System have been purchased, this can also be found in the cardboard box.

No tools are included for mounting.

### 6.1 Assembly of loose parts

#### Assembly of backrest

Mount the entire backrest in the frame by inserting the lower end of the backrest tube into the corresponding holders in the frame.

The position of the backrest can be adjusted to a greater or lesser seat depth, and the inclination of the backrest can be adjusted by choosing different combinations of mounting holes for mounting the backrest holders on the frame.

#### Installation of hydraulic backrest

The hydraulic backrest can be delivered with the other parts of the wheelchair, or it can be retrofitted an existing Eclipse Wheelchair.

When fitting a hydraulic backrest, remove the backrest's original support bushings, after which the hydraulic backrest is bolted with three bolts on each side of the seat frame.

The position of the backrest can be adjusted according to the seat depth.

⚠ Remember to check the stability of the wheelchair if a hydraulic backrest is fitted. Move the rear wheels to the rear axle position to ensure maximum stability.

#### Installation of armrests

The armrest is fastened by leading the armrest pipe straight down into both pipes at the same time as the release lever is pressed in.

The armrest mounting release is located on the side of the armrest tube under the armrest padding.

Remove the armrest by pressing the release lever.

Lift the armrest without pressing the release button to check that the armrest is locked.

#### Assembly of rear wheels and rear axles

1. Push the cap on the quick-release axle in and slide it through the rear wheel and into the frame.
2. Release the cap on the quick-release axle. Check that the quick-release axle is pushed all the way through the rear wheel and locked in the frame.

#### Assembly of footrests

Put suspension brackets in the bracket holders on the wheelchair.

1. Adjust footrests to the desired length with the user in the wheelchair. Use a wrench and Allen key to loosen or tighten the bolt on the footrest adjustment tube.
2. Remove the Allen bolt and clamp bracket. Route the tube up or down to the desired length. Then screw the Allen bolt through the clamp bracket and into the thread on the clamping insert.

⚠ The footrests must be at least seven cm above the floor.

⚠ Do not stand on the footrests. This may cause tipping. The footrests must be in a vertical position and swung away when getting in and out of the chair.

## 6.2 Adjustments

### Adjustment of the back frame

Adjust the seat depth and back angle to suit the desired height and angle of the seat. The removable backrest holders are fastened with four bolts, which are mounted in the pre-drilled hole patterns. Make sure the bolts are the same on both sides.

Cobi Rehab or other professionals can adjust the height of the back frame by shortening the pipes to the desired length with a scraper or pipe cutter.

### Adjustment of upholstery

The straps on the back of the back padding can be adjusted by either loosening or tightening them.

Start by loosening the straps, after which the user is placed in the wheelchair, so the upper part of the padding supports the upper part of the user's back. Then tighten the straps.

### Upholstery placement

Check regularly that the upholstery and / or the inner lining are not damaged or weakened. Replace damaged padding or loose lining immediately.

⚠ The fire-retardant effect of the upholstery is reduced if it is machine-washed or damp.

### Adjustment of the quick-release axles

The two rear wheels of the Eclipse Wheelchair are basically mounted in the standard position. The rear wheel axle can be mounted in four different positions on the seat frame.

⚠ Move the wheel brakes to fit the new position of the rear wheels. See section **Adjusting the Wheel Brake**.

⚠ Do not overtighten nuts. Ordinary tightening is enough.

### Adjustment of upper frame, height, and inclination

The height of the frame and the inclination of the seat are basically set to the standard position. The seat height and inclination can be adjusted in five possible heights and inclinations.

Use a 14 mm ring spanner to loosen or tighten the bolt and nut at the front and rear under the seat plate.

### Adjustment of the frame width

To adjust the frame width, an extension set (Eclipse Grow-kit) from Cobi Rehab must be used. The Eclipse Grow kit contains a seating plate, a backrest and padding as well as five cross frame tubes.

Installation instructions are included in the Eclipse Grow-kit.

# 7. Illustration of adjustment options

## Standard Swing-Away 60° footrest

### Installation

1. Orient the footrest at approximately 45° outboard of the wheelchair as shown in Figure 1.
2. Insert footrest mounting pin into the mounting tube of the hanger.
3. Rotate the footrest inboard until it locks into place. The footplate will be facing inboard when locked in place.
4. Repeat this procedure for the other footrest assembly.

### Removal

1. To remove the Swing-Away front rigging, the locking mechanism needs to be released and the front rigging assembly can then be lifted off the mounting hangers.
2. To release the locking mechanism, push the release lever as show in Figure 1.
3. As the lever is pushed, rotate the front rigging outboard, and lift the footrest mounting pin out of the mounting receiver.

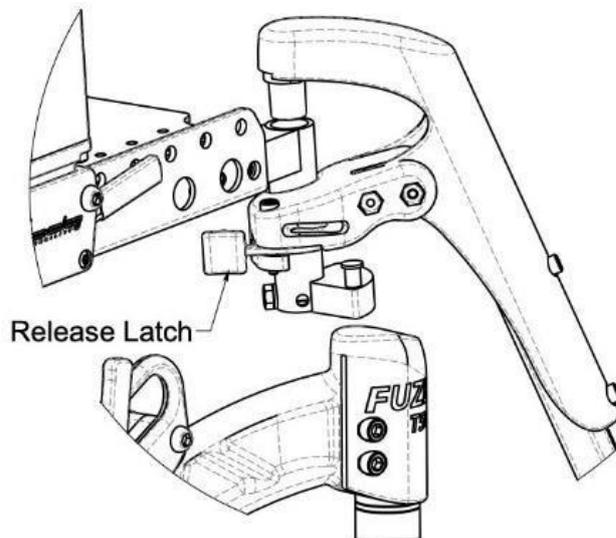


Fig. 1: Swing-Away Front Rigging Latch Installation and Removal Rigging.

## Footrest height adjustment

1. Remove any padding and/or calf strap, if fitted. Remove the fasteners and nuts as shown in Figure 12.3
2. Position the footrest assembly to the desired height and line up the mounting holes.
3. Reinstall the hardware and tighten securely.
4. Repeat this procedure for the other footrest and replace padding and/or calf strap, if fitted.

Please note that the foot plate pictured is not sold by Cobi Rehab.

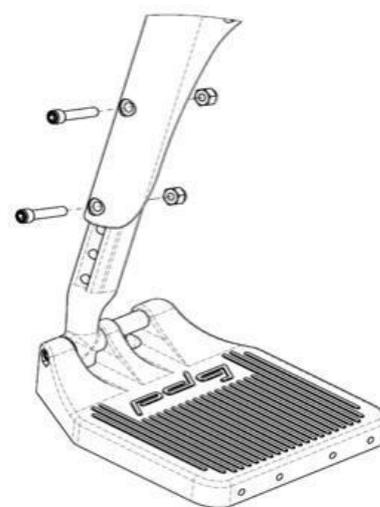


Fig. 2: Standard Swing-Away Footrest Height Adjustment

## Standard Swing Away Elevating Leg rest (ELR)

### Installation and Removal

1. Remove screws and nuts with an Allen key.
2. Place the leg rest at the desired height from the mounting holes.
3. Insert screws and nuts. Tighten well.
4. Repeat procedure for the other leg rest.

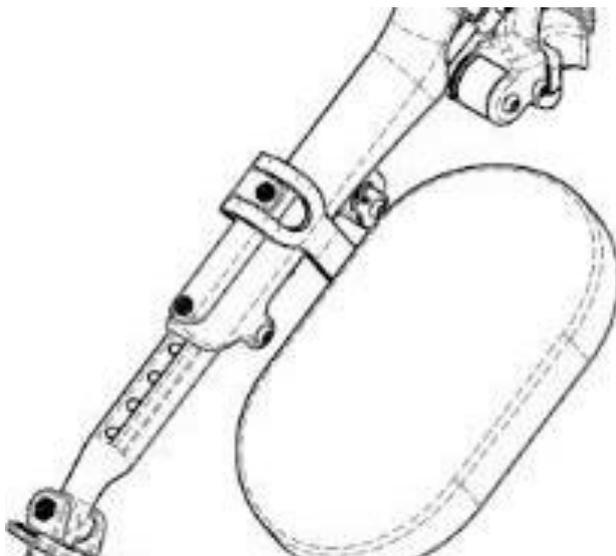


Fig. 4 Swing-Away Elevating Leg Rest.

### Footrest height adjustment

1. Loosen and remove the 1/4-20 x 1-3/4" Socket Button Head which holds the ELR's linear locking device, shown in Figure 5.
2. Adjust the leg rest extension to the desired position, line up the mounting holes and re-install and securely tighten the socket head cap screws.
3. Re-install the 1/4-20 x 1-3/4" socket button head in the eyelet of the linear locking device and securely tighten
4. Repeat the procedure for the other footrest.

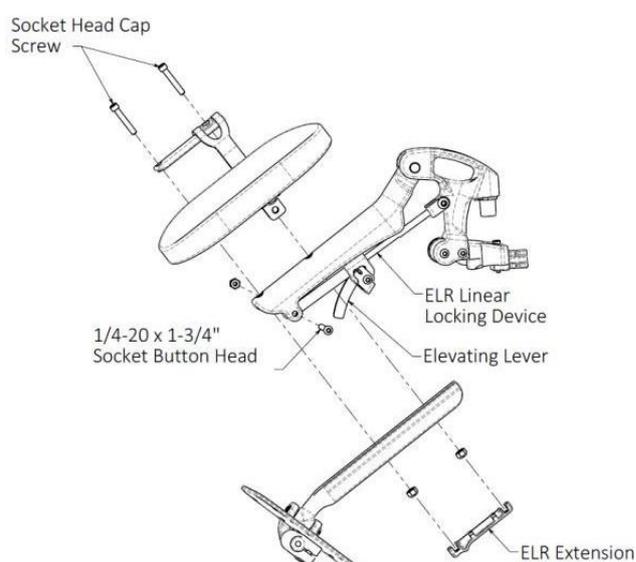


Fig. 5 Elevating Leg Rest Footrest Height Adjustment.

## Adjustable Angle Footplates (Optional)

Angle adjustable footplates allow the depth and the angle of the footplate to be adjusted. These angle adjustable footplates also offer flip-up functionality. To flip up the footplate simply pull upwards on the footplate.

### Adjusting the Footplate Angle

1. Loosen the angle adjustable footplate adjustment bolts as shown in Figure 6.
2. Rotate the footplate until it is in the desired angle.
3. Tighten the bolts.
4. Repeat for other footplate if required.

### Adjusting the Depth

1. Remove the angle adjustable footplate adjustment bolts as shown in Figure 6.
2. Align the footplate with the preferred holes.
3. Refasten the nuts and bolts.
4. Repeat for other footplate if required.

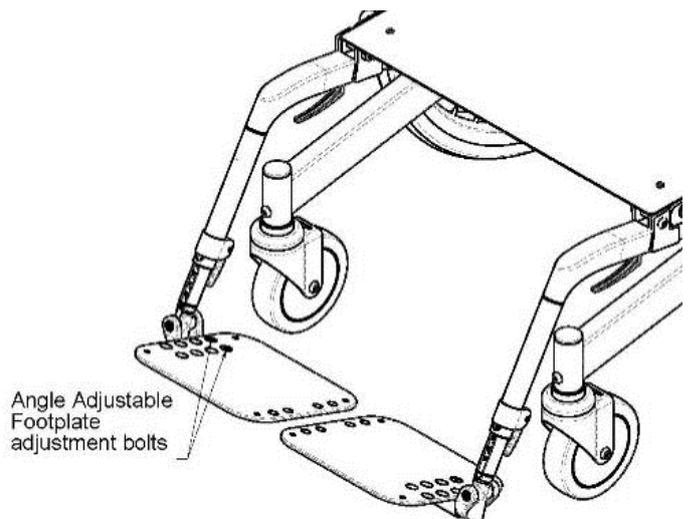


Fig. 6: Adjustable Angle Footplates.

## Adjusting Armrest Height

Unlock the arm by depressing the black release button on the upper front of the armrest while moving the armrest up or down (Refer to Figure 7).

Adjust armrest to desired height. The armrest height will 'lock' when the release button pops out of one of the armrest height adjustment holes.

### Removing Armrests

Release the arm assembly by depressing the black release lever on the front the armrest (just above the seating plate) while pulling the armrest up.

### Armrest Pads

Check for rips or breaks. If these are present, replace immediately to maintain appearance and comfort. Armrest pad should sit flush against frame. If the pad is cracked or retaining screws are stripped, replace immediately.

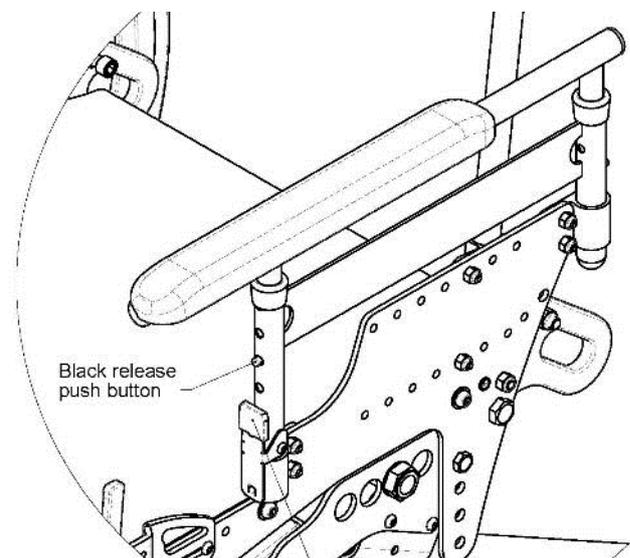


Fig. 7: Adjusting Armrest Height.

## Adjustment of seat depth

⚠ After adjusting, always make sure that parts are properly tightened before using the wheelchair.

The seat depth on the Eclipse Wheelchair can be adjusted from 16" to 22", depending on the position of the backrest post receivers. Seat depths 23" and 24" are achieved through a new seating plate. Figure 8 shows the seat depth set-up positions and can be referenced for adjusting.

### Adjusting the Seat Depth

1. The seat depth is adjusted by simply loosening and removing the two ¼-20 Button Head fasteners on each side (see Figure 7).
2. Adjusting the back post receiver to the desired position.
3. Retighten the fasteners.

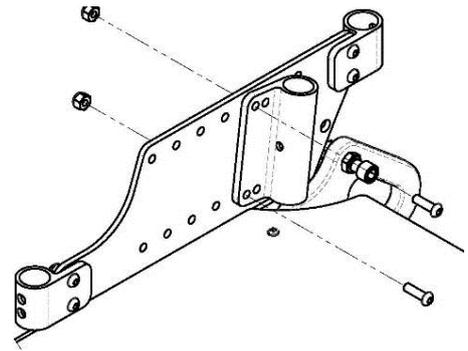


Fig. 7: Seat Depth Attachment.

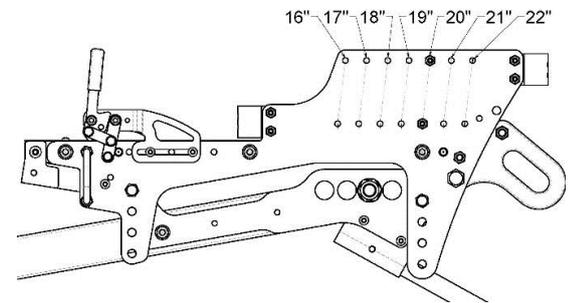


Fig. 8: Seat Depth Setup.

## Removeable Backrest (Standard)

### Removing the backrest

1. Remove the ¼" pin from each side of the back of the backrest.
2. Slide the backrest vertically until it is clear of the wheelchair.

### Re-installing the backrest

1. Slide the backrest in vertically to the backrest receivers until the ¼" pin holes align.
2. Re-install the ¼" pin from each side of the back of the backrest.

### Adjusting the Back Angle

1. The seat-to-back angle may be set at a range of 90°-120°. Only two (2) bolts need to be removed from each side to change the angle.
2. Adjust the bracket to the desired angle and re-install the bolts
3. Retighten the nuts.

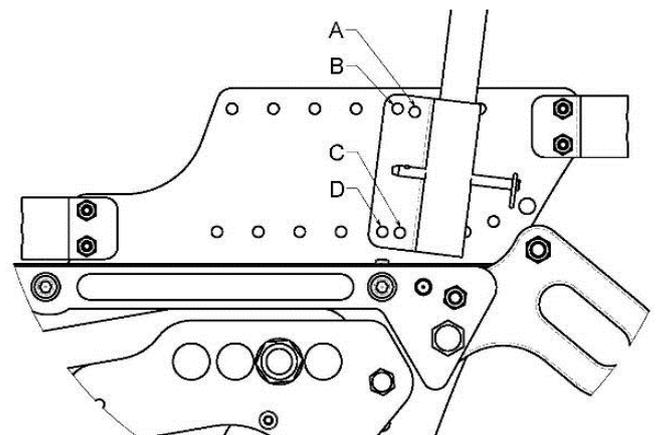


Fig. 9: Adjusting the back angle for Removeable Backrest.

The locknuts should be re-used no more than five (5) times to ensure locking material grips.

If locknuts are worn, please replace.

## Reclining Backrest (Not compatible with removeable backrest)

The Eclipse Wheelchair is available with the option of a manual reclining backrest that allows for up to 30° of backrest recline.

It is not compatible with the backrest extension and is 2.5 cm narrower than the seat width.

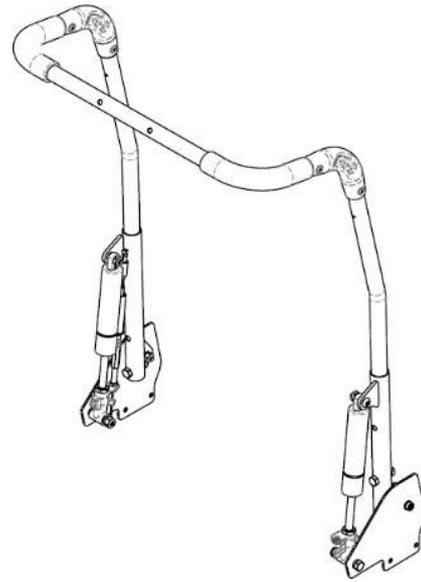


Fig. 10: Reclining Backrest.

## Removing/Installing the Rear Wheels/Axles

The Eclipse Wheelchair is only available with quick-release axles.

1. To remove the wheel, push on the quick-release button and it should release the axle pins allowing for the axle and rear wheel to slide out of the axle receiver.
2. To reinstall the rear wheels, reverse the step and ensure that the axle pins completely release and lock the rear wheels on to the wheelchair.

**⚠** Do not use the wheelchair unless securing both quick-release axles are locked. An unlocked axle may come off during use and can cause personal injury.

### Rear Wheel Axle Nut Adjustment)

The quick-release axle attaches the rear wheel to the axle receiver. When the axle is fully inserted into both the wheel and axle receiver the detent balls will lock the wheel assembly in place.

By pushing the button on the quick-release axle the detent balls will be disengaged and wheel can be removed.

If the wheel and axle will not lock or alternatively if it is locking into place but there is excessive play when the wheel hub is being pushed back and forth, the nut on the axle needs to be adjusted.

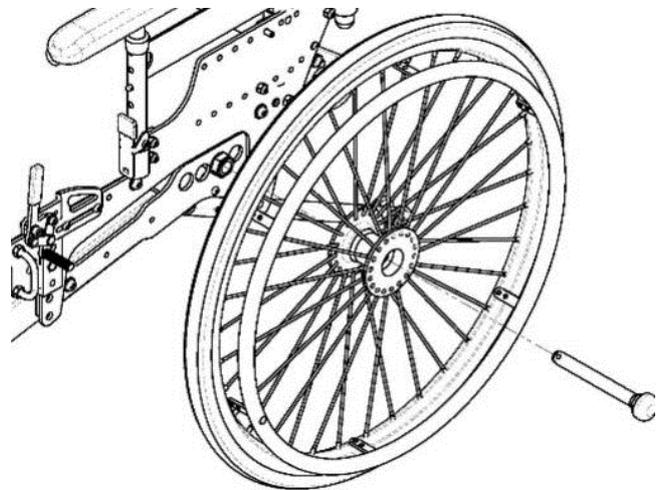


Fig. 11: Removing the Rear Wheel.

### If the axle does not lock

1. Using a 9/16" open end wrench, securely hold the detent ball end of the axle. (See Figure 12)
2. Use the 15/16" open-wide wrench to turn the axle nut counter clockwise.
3. Turn the nut approximately in 1/2 turn increments.
4. Try to lock the axle into the axle receiver.
5. If it does not lock, repeat step 3 and 4 until it locks securely.

### If the axle locks, but there is excessive play

1. Using a 9/16" open end wrench, securely hold the detent ball end of the axle. (See Figure 12)
2. Use the 15/16" open-wide wrench to turn the axle nut clockwise.
3. Turn the nut approximately in 1/2 turn increments.
4. Insert the axle and test for play.
5. Repeat step 3 and 4 until the play has been eliminated and the detent balls are fully extended.

⚠ With the user sitting in the chair, check to ensure the wheelchair is stable in all positions before dispensing the wheelchair.

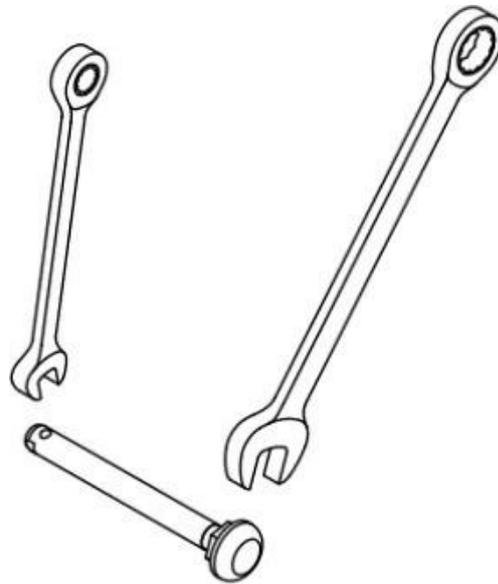


Fig. 12: Quick Release Axle Adjustment.

### Anti-Tip Tubes

The anti-tip holders are bolted to the frame. The anti-tip supports have two length adjustment options.

⚠ Do not operate the Eclipse Wheelchair without anti-tippers installed. Anti-tippers are mandatory for safety and warranty protection.

#### To install the anti-tip tubes

1. Press and hold the release button on the anti-tip tube. (See Figure 13)
2. Insert the anti-tip tube into the receiver as shown until it locks into position.

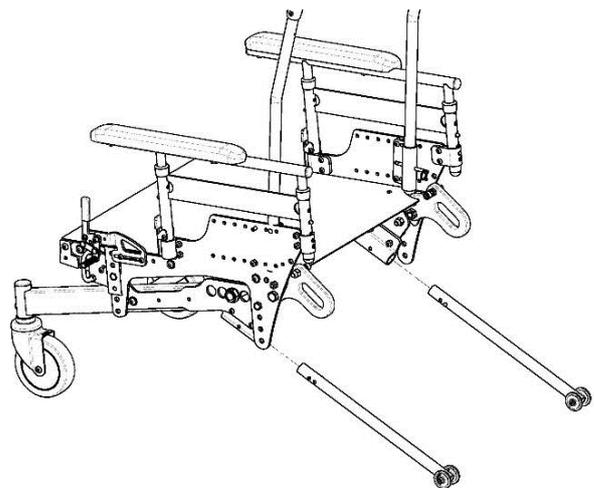


Fig. 13: Installing Anti-Tip Tubes.



## Casters

⚠ After adjusting, always make sure that parts are properly replaced and tightened before using the wheelchair.

### Installing/Replacing Caster Forks

1. Remove the M8 bolt.
2. Slide out caster fork assembly.
3. Reassemble by reversing step 1-2.
4. Test the wheelchair for manoeuvrability.

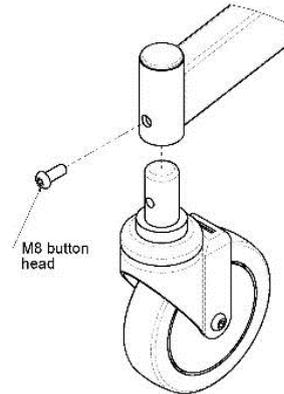


Fig. 14: Installing/Replacing Casters.

## Wheel locks

Wheel locks lock the rear wheels and prevent any undesirable movement of the wheelchair.

⚠ Never attempt to engage wheel locks while the chair is in motion as it could cause you to lose control.

### Wheel Lock operation

1. To engage the push to lock wheel lock (see Figure 15), push the lever forward, away from the wheel, until it locks into place.
2. To engage the pull to lock wheel lock (see Figure 15), pull the lever towards the wheel until it locks into place.

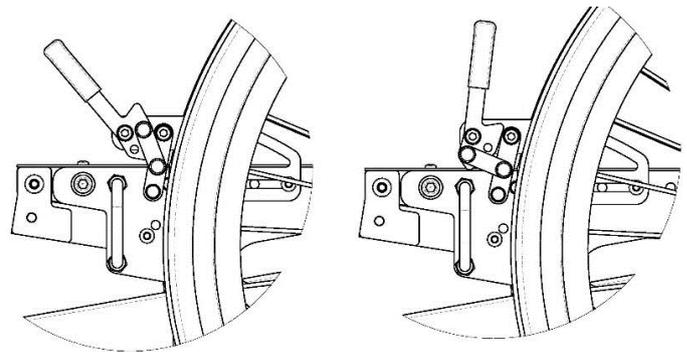


Fig. 15: Pull-to-Lock (Left) and Push-to-Lock (Right) Wheel Locks (standard).

### Wheel Lock Adjustment

1. Remove the two ¼-20 bolts and nuts holding each wheel lock in place.
2. Position the wheel lock along the array of holes so that the brake shoe is spaced out from the front of the wheel by about ½" (13mm).
3. Tighten the two ¼-20 bolts and nuts and test the wheel lock to ensure desired performance.
4. If the wheel lock does not lock sufficiently, loosen the ¼-20 bolts and nuts, and slide the wheel lock towards the wheel slightly. Tighten the bolts and test the performance again.
5. If it is too difficult to engage the wheel lock, loosen the ¼-20 bolts and nuts and slide the wheel lock away from the wheel slightly. Tighten the bolts again and test the performance.

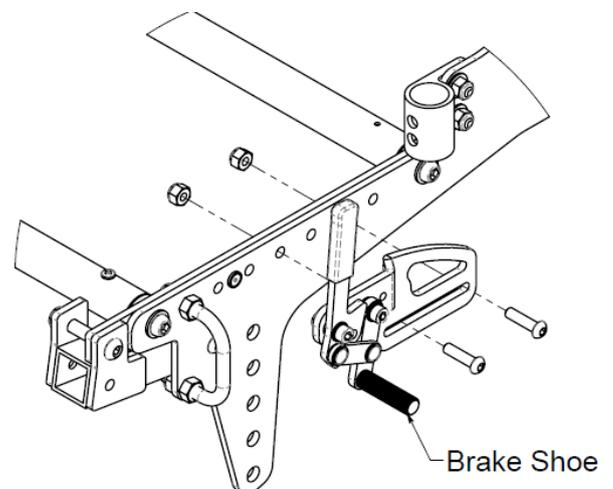


Fig. 16: Wheel Lock installation.

## Seat-To-Floor Height

⚠ After adjusting, always make sure that parts are properly replaced and tightened before using the wheelchair.

The seat to floor height on the Eclipse can be adjusted 14" to 18", and up to 20" with a seat height extension.

The front and rear seat heights can be adjusted independently, and the front can be up to 2" higher than the rear.

The seat height is adjusted by changing how the upper frame is bolted to the lower frame.

### Adjusting Seat to Floor Height

1. Remove the bolts and nuts joining the upper and lower frame as shown in Figure 18 using two 9/16" wrenches or sockets.
2. Move the upper frame to the desired position shown in Figure 17.
3. Replace the bolts and tighten.
4. Check to ensure all screws and nuts are assembled securely.

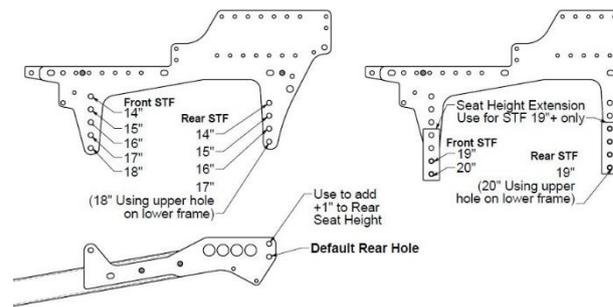


Fig. 17: Recommended chair position.

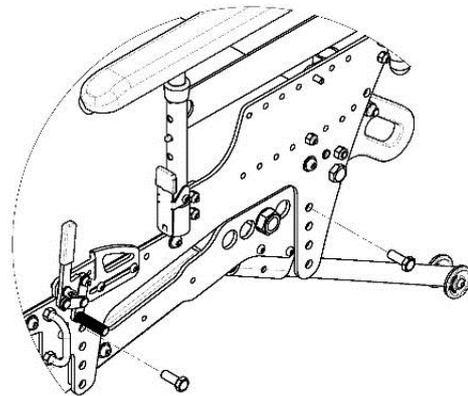


Fig. 18: Seat Height Adjustment - Fastener installation.

## Headrest (optional)

If your chair does not have a rigid backrest cushion, it may be fitted with a head rest mounting on the push bar handle. Otherwise, the head rest will be mounted directly to the rigid backrest.

### Removing the Headrest

1. Loosen the "Headrest Height Adjustment Set Screw" and slide the head rest assembly upwards until it is free of the chair.
2. To reinstall the headrest assembly, slide the headrest assembly back into the desired position and retighten the "Headrest Height Adjustment Set Screw".

### Adjusting the Headrest Position

Refer to the manufacturer's headrest manual to adjust the headrest position.

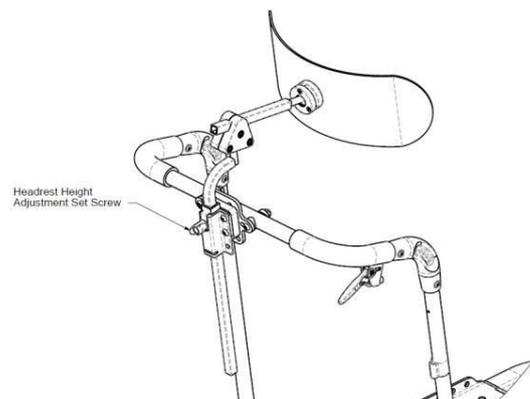


Fig. 19 Headrest.

## 8. Cleaning and maintenance

---

Eclipse Wheelchair's seat, frame, backrest upholstery and push handles can be cleaned with water and an ordinary detergent.

⚠ Moisturizing the backrest upholstery will reduce the flame retardant effect.

### Disinfection

Seat, frame, backrest upholstery and push handles can be disinfected with ethanol 70-85% or a chlorine product 1000-1200 ppm.

The wheelchair cushion can be changed when transferred to a new user.

⚠ Disinfect Eclipse Wheelchair when passed on to a new user. This is done to avoid cross-contamination and infections.

Local cleaning and disinfection procedures must always be followed.

### Maintenance

1. Check all nuts and bolts are tight before using the Eclipse Wheelchair. Check all parts for wear and damage and replace parts where required.
2. Keep axles free from dirt and fluff to ensure the mechanism locks correctly and the wheels can turn freely.
3. Lubricate the axles at least once a month (use a 3-in-1 oil or a similar product).
4. Periodically check the wheels and tyres for cracks and wear and replace as required.
5. Periodically check the hand rims are securely attached to the wheel.

## 9. Transport and storage

---

When Eclipse Wheelchair is not in use store it dry and in temperatures between -10° - 50°C.

Eclipse Wheelchair is (without user) suitable for land- and air freight. Eclipse Wheelchair is not foldable. To avoid injuries on the staff, it is not recommended to carry the 40 kg heavy wheelchair. The wheelchair can be lifted in the frame if it must be transported without user in a vehicle.

Eclipse Wheelchair is crash tested. Therefore it can be used as a seat in a vehicle. The wheelchair must be fastened in the vehicle by a Transit Tie Down System (accessory). There are four brackets included and marked with the Transit Tie-Down symbol. The wheelchair seat must be lowered to the max to avoid the risk of injury.



The Transit Tie-Down system must only be used with approved safety systems which comply with EU 214/2014.

### 9.1 Long-term storage

Eclipse Wheelchair should be stored in the dark and covered with a blanket or similar.

Eclipse Wheelchair should be stored between -10° - 50°C in terms of temperature.

Check regularly that the wheelchair has not become wet or has suffered other damage during storage.

## 10. Recycling and disposal

---

Dispose of products that are no longer in use in an environmentally safe manner. Contact your local authority for further information on disposal.

Contact Cobi Rehab for further information on the recycling of wheelchair parts.

## 11. Warranty

---

Cobi Rehab warrants that the Eclipse Wheelchair is without defects on delivery. If, against all expectations, the wheelchair is subject to deficiencies or defects on receipt, please contact Cobi Rehab immediately.

The warranty period for the Eclipse Wheelchair is one year from the date of purchase and covers manufacturing defects or defect on receipt. The invoice is your certificate of warranty.

The warranty does not apply to

- products on which the serial number, batch number or the like have been removed or significantly damaged.

- products which have been repaired by unauthorised personnel

The warranty does not cover:

- wearing parts

This warranty does not apply when Cobi Rehab assesses that the Eclipse Wheelchair has been improperly operated.

For damage caused by improper operation, an invoice will be issued for both the service and the spare parts used.

**⚠** Lack of maintenance can damage the product, shorten the life, or affect the performance of the Eclipse Wheelchair.

### 11.1 Unintended event

Report any incidents relating to the use of Eclipse Wheelchair to Cobi Rehab.

### 11.2 After expiry of expected service life

After the expected service life, it is important that an overall assessment of the product is made before continued use.

After the expected service life, Cobi Rehab cannot guarantee the suitability and safety of the product, as Cobi Rehab has no control over how the product is used and wear and tear.

The overall assessment of the product must be carried out by qualified professionals, and as a

minimum, consideration must be given to how the product has been used, the condition of the product and its components.

Cobi Rehab can always make such an assessment.

## 12. Specifications

Maximum user weight	270/450 kg
Risk class	I
Basic UDI	13829
Expected product service life	Minimum 7 years
Crash tested	ISO 7176-19
Seat depth	410 - 610 mm
Seat width	500 - 1220 mm
Seat height	356 - 508 mm
Strap back rest	Polypropylene
Back angle	85° - 100°
Length including footrests	1180 mm
Total width	Seat width + 190 mm
Weight wheelchair	40 kg
Weight heaviest part	20 kg
Slope downhill	Max 12°
Slope uphill	Max 12°
Slope laterally	Max 12°
Rear wheel	24" (580 mm x 30 mm) HD Spoke urethane
Front wheel	5" (127 mm x 32 mm)
Frame material	Steel
Seat upholstery	Polyester with PVC
Push bar, adjustable	Yes
Wheel forks	HD steel fork
Footrest tubes	6061-T6 Aluminium
Footplate	6061-T6 Aluminium/nylon with fiberglass
Turning radius (Pivot)	1545 mm
Foldable	No
Risk assessment	EN/ISO 14971: 2012
General requirements and test methods	ISO 7176-1, -3, -5, -7, -8, -13, -15 og -22

## 13. Accessories and spare parts

---

<b>Accessories</b>	<b>Item number</b>
O2 Oxygen bottle holder Ø10 cm	0120-999-021
IV holder	0120-999-020
Headrest	0120-999-010
Table (for seat width 55-72 cm)	0100-999-001
Disc brakes	0120-999-022
Grow-kit	0120-999-030
Reinforcement 450 Kg	0120-999-010
Back extension	0120-999-032
Increase adapter seat height	0120-999-033
Armrest 50 cm, right	0120-999-078
Armrest 50 cm, left	0120-999-077
Footrest swing away left	0120-999-008
Footrest swing away right	0120-999-009
Footrest elevation, right	0120-999-006
Footrest elevation, left	0120-999-007
Transit Tie-Down System	0120-999-065
For other spare parts please contact Cobi Rehab +45 7025 2522 or <a href="mailto:cobi@cobi.dk">cobi@cobi.dk</a>	

## 14. Troubleshooting

---

Problems	Solutions
Slow turning or driving	Check if nuts and screws are loose
The front castors vibrate	
The wheelchair creaks and rattles	
The wheelchair seems loose	
The wheelchair pulls to the right	Check the angle of the front castors
The wheelchair pulls to the left	
Slow turning or driving	
The front castors vibrate	
The wheelchair pulls to the right	Check that both front wheels touch the ground at the same time
The wheelchair pulls to the left	
The front castors vibrate	



**COBI REHAB<sup>®</sup>**  
The Positioning Company

---

**DEALER**

**Cobi Rehab**  
Fuglebækvej 1D  
DK-2770 Kastrup  
Denmark  
+45 7025 2522  
[cobirehab.com](http://cobirehab.com)



**MANUFACTURER**

**PDG Mobility**  
PDG Product Design Group Inc.  
#103-318 East Kent Avenue South,  
Vancouver  
BC V5X 4N6  
Tel.: (604) 323-9220  
Fax: (604) 323-9097  
E-mail: [info@pdgmobility.com](mailto:info@pdgmobility.com)  
[www.pdgmobility.com](http://www.pdgmobility.com)