

LASAL



August 2017

FEEL COMFORTABLE AT THE DENTIST

DENTAL



LASAL A/S, Industrivej 15, DK-8881 Thorsoe

E-mail: info@lasal.dk



+45 8696 6666



www.lasal.dk

VAT No. DK 1437 8677

MAKE IT A COMFORTABLE EXPERIENCE TO SEE YOUR DENTIST



Regardless if the appointment involves a routine check-up or lengthier treatment, the comfort and support we experience in the dentist's chair is important. If we are lying in a comfortable position, it is easier for us to relax, physically and mentally.

Patients enter the dental clinic with many needs and challenges.

LASAL Dental Cushions create a comfortable support base that fits the patient perfectly.



Creating a comfortable and supporting lying position in the dental chair may be crucial to the patient.



Example: A person with spasticity can be supported in a position that minimizes tension and involuntary movement.

For whatever the reason, some patients need additional support, even for a brief check-up in the dental chair.

LASAL Dental Cushions are developed for this very purpose. Every cushion is easy to shape and adaptable to both patient and chair.

The range features cushions for support of the head, neck, arms, legs, upper back and lower back. The cushions can be combined in many ways and fit both children and adults.

LASAL Dental Cushions are developed in cooperation with The Mun-H Centre in Odontology in Gothenburg, Sweden, and our Swedish distributor.

CUSHIONS FOR SUPPORT OF THE HEAD

The range consists of 5 cushion types for support of the head, the neck or both. It may be a question of correction, support or extra volume all with the purpose of placing the head in the most comfortable position during the dental treatment.

Neck Cushion

A firm cushion to be placed under the patient's neck for support.



U-shaped Neck Cushion

A mouldable cushion to be placed under the patient's neck to provide support and encircle.



Symmetric og asymmetric Head Support

A full bodied cushion available in two designs.

Symmetric cushion to be placed under the patient's head to lift and support the head in a desired position.

Asymmetric cushion also to be placed under the patient's head to lift and support correction of headcontrol.



Crescent

A small mouldable cushion for minor support or lift up. Can also be combined with the above Head and Neck Cushions.



CUSHIONS FOR ARM SUPPORT

Safe Guarder for adult and child

A mouldable cushion to be placed with the narrow part behind neck/shoulders and with the cushion's "arms" embracing the user around the shoulders, along both arms and closed with the grip band in front.



The cushion encircles and provides the user with a relaxed feeling. At the same time the Safe Guarder makes it possible for the user to relax in both arms from neck to fingertips without the arms falling to the sides.



Example: A person who is generally distressed about seeing the dentist can benefit greatly from the "embracer" which embraces the patient's upper body securely and protectively.

CUSHIONS FOR LEG SUPPORT

Leg Relaxer - adult and child

A mouldable cushion with the shape of a T. Place the cushion under the patient's lower legs and feet with the T between the knees. Pulling the cushion further towards the patient minimizes the hip and leg angle and reduces body tension and lower back pain. The cushion may also be used to correct curvatures of leg and hip.



The removable cover is prepared for a Support Band to fasten the cushion to avoid it from sliding down of the chair.

CUSHIONS FOR LEG SUPPORT

Lower Leg Cushion

To be used for adults together with Leg Relaxer.

Place on top of the Leg Relaxer to stabilize lower legs, ankles and feet to prevent them from sliding outwards.



Oblong

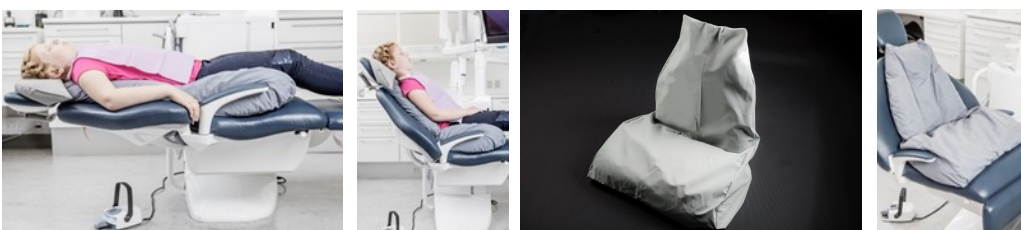
Place under the patient's knees. Can also be used in combination with the Leg Relaxer and Lower Leg Cushion to provide extra support for the feet or in combination with the Leg Relaxer.



Example: An elderly woman with lower back pain can be given additional support under her legs to put her lower back in contact with the support base thereby helping her feel more comfortable.

Seat Cushion

With the Seat Cushion a better position is obtained for the child in the dental chair. To the smaller child the dental chair may seem too big and in such situation the Seat Cushion can help stabilizing seat and back and compensate for probable error deviations and asymmetries providing support for the child's entire back.



DESCRIPTION OF MATERIALS

Innercover:	PU-coated flame retarded polyester textile
Support Band:	100% polyester
Filling:	Flame retarded EPS beads (Expanded Polystyrene)
Removable covers:	Hygiene cover made from PU-coated flame retarded polyester textile ECO cover made from skin friendly single jersey (Lenzing/Tencel) with PU-coated back

CLEANING AND MAINTENANCE

The cushion itself must not be chemically cleaned and must not come into contact with any solvent as this could cause decomposition of the beads. Machine washing not recommended as the EPS beads melt at temperatures above 70° C. Wipe off with alcohol or water with common cleaning agent.

Hygiene Cover machine washable at 95° C and tumble dried.

ECO cover machine washable at 60° C and tumble dried at low temperature.

It is recommend to wash and dry both kinds of cover with other non-coated textiles 1:1.

Remember to remove the Support Band from the Leg Relaxer before washing.

WHAT COVER TO CHOOSE

For the working area around head and upper body the cushions can be used without cover, but in order to prolong the cushions service time we recommend to use them with the removable cover in PU-coated polyester. The cover is smooth and easy to wipe off. It is also machine washable at high temperature (see above).

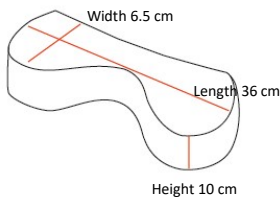
For the cushions for seat, legs and feet it is possible to choose between the polyester cover or an ECO cover made from skin friendly singlejersey which is absorbing and not that smooth. Usable where wiping off with alcohol is not needed (see washing instructions above).

DISPOSAL

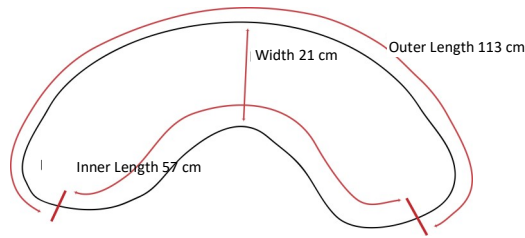
Cushions and covers can be disposed of as common household waste.

IMPORTANT

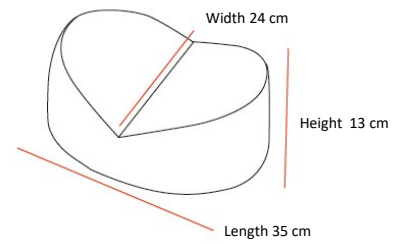
Avoid contact with sharp edges and pointed items against the cushions.



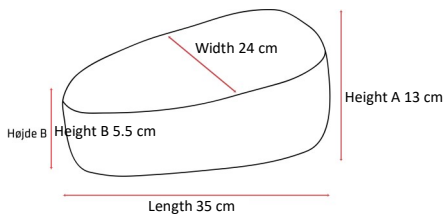
707001 - Cushion
707004 - Hygiene Cover



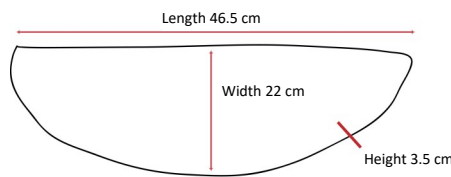
707101 - Cushion
707104 - Hygiene Cover



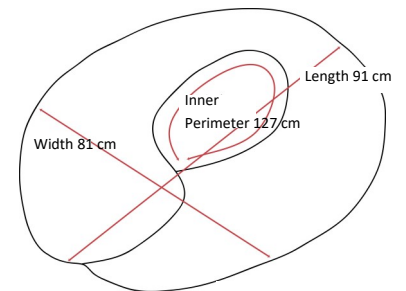
707211 - Symmetric Cushion
707214 - Hygiene Cover



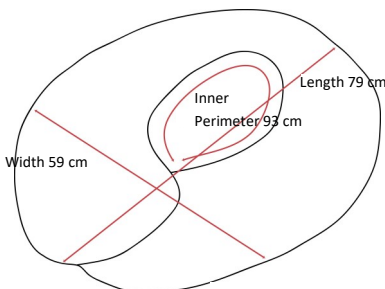
707201 - Asymmetric Cushion
707204 - Hygiene Cover



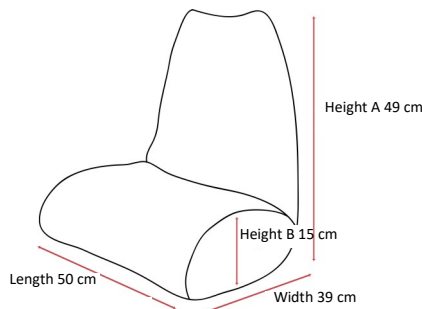
707301 - Cushion
707304 - Hygiene Cover



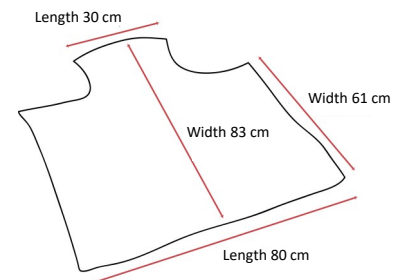
707401 - Cushion (Adult)
707404 - Hygiene Cover



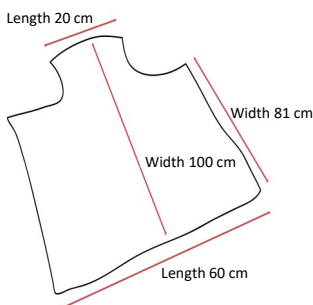
707421 - Cushion (child)
707424 - Hygiene Cover



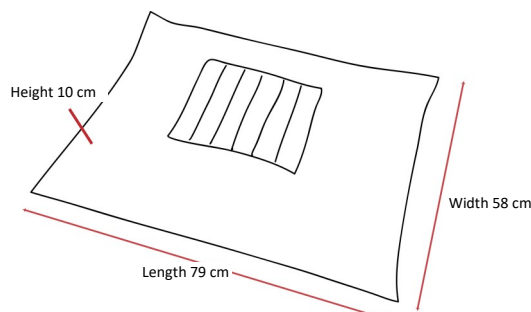
707821-04 - Cushion with Hygiene Cover
707821-09 - Cushion with ECO Cover
707824 - Hygiene Cover
707829 - ECO Cover



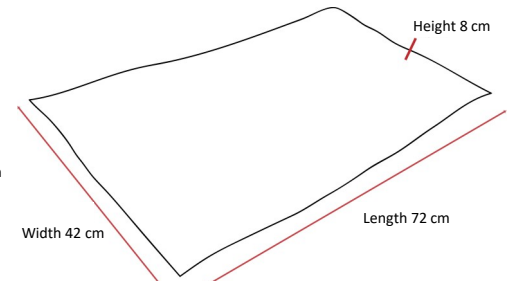
707601-04 - Cushion with Hygiene Cover (adult)
707601-09 - Cushion with ECO Cover (adult)
707604 - Hygiene Cover
707609 - ECO Cover



707621-24 - Cushion with Hygiene Cover (child)
707621-29 - Cushion with ECO Cover (child)
707624 - Hygiene Cover
707629 - ECO Cover



707701-04 - Cushion with Hygiene Cover
707701-09 - Cushion with ECO Cover
707704 - Hygiene Cover
707709 - ECO Cover



707501-04 - Cushion with Hygiene Cover
707501-09 - Cushion with ECO Cover
707504 - Hygiene Cover
707509 - ECO Cover

All Cushions are measured from seam to seam.



LASAL A/S, Industrivej 15, DK-8881 Thorsoe

E-mail: info@lasal.dk



+45 8696 6666



www.lasal.dk

VAT No. DK 1437 8677