

# Bariatric rehabilitation

## Wheelchairs, cushions and chairs

*Positioning solutions for bariatric patients  
all hours of the day*



**COBI REHAB**<sup>®</sup>  
The Positioning Company



# XXL-Rehab Minimaxx

## Folding Wheelchair

Strongly engineered and functionally designed exclusively for bariatric users!

The XXL-Rehab Minimaxx folds up easily and is easy to bring along. The folding system is very easy to activate, and gives at the same time great support to the seat. The design of the folding system makes the chair rigid - when unfolded the chair is also much more stable than normal foldable chairs.

STW (Stiffness To Weight) was our goal. We used very light tubing technology as used on high end MTB and road bikes. This Minimaxx only weighs approx. 9% of its weight capacity and still provides a smooth drive thanks to the rigid folding system and light tubing.

The XXL-Rehab Minimaxx drives very well due to the position of the rear and front wheels. It is designed so the rear wheels carry most of the user's weight making it much easier for the user to push. The castor wheels are further in front as on standard chairs. This prevents the chair from tipping.

The low seat height makes it easy to access the chair and still propel it.

The push handles are designed so the attendant can easily use his/ her body to turn and push the chair. The padded handles are at an angle that puts as little strain to the wrists and shoulders as possible.

The XXL-Rehab Minimaxx has disc brakes as an additional option. Little effort is required to brake the chair even with a full load. To the disc brake is also added a parking brake and the chair also has a wheels lock. Another option is the sport armrests.

The footrests are designed to carry 100 kg each! The footrests are also side/width adjustable. This enables users with legs aligned or with a wide leg spread to use the chair.

The very long armrests make it easy for the user to get in and out of the chair.

- Folding rigid frame
- Super easy to push
- Different armrests available

**MAX 325 kg**



Product video  
Scan the code  
and see the  
product in use



Standard armrests



Sport armrests



Sport armrests, side view



Folded

# XXL-Rehab Minimaxx Specifications

XXL-Rehab Minimaxx	
Maximum weight capacity is	325 kg
Total width	80 / 85 / 90 / 95 cm
Total width folded	41 cm
Total height excluding push handle	103 cm
Total height including push handle, lowest position	110 cm
Total length without footrests	70 cm
Seat width	56 / 61 / 66 / 71 cm
Seat depth	46 cm
Seat height	43 cm
Backrest height	51 cm
Armrests swing-away and removable	Yes
Footrests height adjustable	Yes
Footrests swing-away and removable	Yes
Weight	Approx. 27 kg
Operation	Manual
Flame-retardant cover	Yes
Color cover	Black
Color frame	Silver metallic
Push handles height adjustable	Yes
Quick release on rear wheels	Yes
Balance point adjustable	Yes
Foldable	Yes
Fixed seat	Yes
Frame	Powder-lacquered chromium molybdenum steel
Rear wheels	24" solid PU tires
Casters	125 mm nylon with PU
Seat / backrest	Polyester / nylon
Armrests	Polyurethane
Footrests	Stainless steel with rubber coating
ISO - classification	ISO 12 22 03 - 08



Hand brake operated by attendant



IV holder and O2 holder



Sport armrests



Table



Disc brakes

**Ideal use for...**

- Bariatric users.
- Nursing homes.
- Hospitals.
- Home.

Model	Seat width cm	Seat depth cm	Order No
XXL-Rehab Minimaxx Standard incl. footrests	56	46	0100-056-000
XXL-Rehab Minimaxx Standard incl. footrests	61	46	0100-061-000
XXL-Rehab Minimaxx Standard incl. footrests	66	46	0100-066-000
XXL-Rehab Minimaxx Standard incl. footrests	71	46	0100-071-000
XXL-Rehab Minimaxx with disc brakes, incl. footrests	56	46	0109-056-000
XXL-Rehab Minimaxx with disc brakes, incl. footrests	61	46	0109-061-000
XXL-Rehab Minimaxx with disc brakes, incl. footrests	66	46	0109-066-000
XXL-Rehab Minimaxx with disc brakes, incl. footrests	71	46	0109-071-000

Accessories	
Sport armrests, pair	0100-999-006
Table	0100-999-001
IV holder and O2 holder, diameter 10 cm	0100-999-020
Footrest swing-away, right	0100-999-010
Footrest swing-away, left	0100-999-011





# XXL-Rehab Minimaxx with Push Motor

Strongly engineered and functionally designed exclusively for bariatric users!

The XXL-Rehab Minimaxx With Push Motor is a strong power pack that assists the attendant to push the chair with no effort. It is now easy to move a bariatric patient around. With the XXL-Rehab Minimaxx With Push Motor the caregiver avoids sore shoulders and stress on wrists.

Even on slopping surface up to 5 % the XXL-Rehab Minimaxx With Push Motor proudly helps over you over the top and going down you find the security of our disc braking system. If an immediate stop is needed just pull the lever and the wheelchair stops at once.

The push motor is easy to operate. The control panel is placed on the handle and offers Drive and Reverse mode as well as speed control from 1-5 km/h.

As for the construction of the wheelchair STW (Stiffness To Weight) was our goal. We used very light tubing technology as used on high end MTB and road bikes. This XXL-Rehab Minimaxx only weighs approx. 9% of its weight capacity and still provides a smooth drive thanks to the light tubing.

The castor wheels are further in front as on standard chairs. This prevents the chair from tipping.

The very long armrests make it easy for the user to get in and out of the chair. The low seat height makes it easy to access the chair.

The footrests are designed to carry 100 kg each! The footrests are also side/width adjustable. This enables users with legs aligned or with a wide leg spread to use the chair.

**MAX 325 kg**

- Push motor is easy to operate
- Different armrests available



Push motor



Standard armrests



Sport armrests



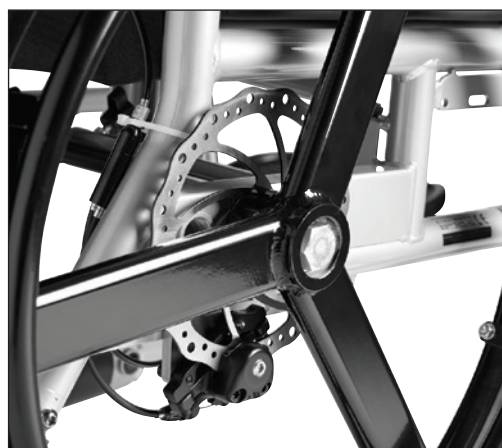
Sport armrests, side view

## XXL-Rehab Minimaxx with Push Motor Specifications

XXL-Rehab Minimaxx with Push Motor	
Maximum weight capacity is	325 kg
Seat width	56 / 61 / 66 / 71 cm
Total width excluding push handle	80 / 85 / 90 / 95 cm
Total height including push handle, lowest position	110 cm
Total height	103 cm
Total length without footrests	70 cm
Seat depth	46 cm
Seat height	43 cm
Backrest height	51 cm
Weight	Approx. 27 kg
Weight push motor	23 kg
Weight battery	9 kg
Battery	12V 12AH x 2
Motor	24V 450W 4.5 amps
Tire size	50 mm x 200 mm (Solid Tire) x 2
Charger capacity	Off Board (1.8A)
Range per charge	4.5 km
Max. speed	5 km/h
Gradient	5°
ISO - classification	ISO 12 23 12 - 02

### Ideal use for...

- Bariatric users.
- Nursing homes.
- Hospitals.
- Home.



Disc brakes

Model	Seat width cm	Seat depth cm	Order No
XXL-Rehab Minimaxx With Push Motor, incl. disc brakes and footrests	56	46	0110-056-000
XXL-Rehab Minimaxx With Push Motor, incl. disc brakes and footrests	61	46	0110-061-000
XXL-Rehab Minimaxx With Push Motor, incl. disc brakes and footrests	66	46	0110-066-000
XXL-Rehab Minimaxx With Push Motor, incl. disc brakes and footrests	71	46	0110-071-000

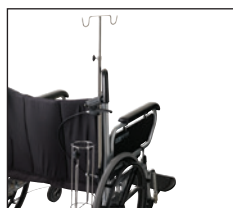
Accessories	Order No
Sport armrests, pair	0100-999-006
Table	0100-999-001
IV holder and O2 holder, diameter 10 cm	0100-999-020
Footrest swing-away, right	0100-999-010
Footrest swing-away, left	0100-999-011



Table



Hand brake operated by attendant



IV holder and O2 holder



Sport armrests



# XXL-Rehab Eclipse

Strongly engineered and functionally designed exclusively for bariatric users!

The construction and adjustment possibilities meet the needs from various bariatric bodytypes, making it the best for this type of users.

The steel frame gives the XXL-Rehab Eclipse wheelchair maximum strength and rigedness, and therefore also makes it a long lasting wheelchair.

The frame is designed so most of the userweight is carried on the rear wheels. The wheels are especially made for this wheelchair; they are extra hard and solid making propulsion and steering unbelievably easy and with very little loss of energy!

The seat pan is also solid – because anything else would be hazardous! Various medical conditions demand a solid seat-pan (fractures, hemiplegia, lateralshifts etc) but also giving a bariatric user a solid seat pan facilitates a good posture and activeness in the chair.

The XXL-Rehab Eclipse Wheelchair has adjustable seat depth, seat height, seat to floor angle and seat to back angle. All of this makes it easy to adjust to any user! The adjustment possibilities give the user a chance of staying active in propelling the chair, to get in and out of the chair and maybe also walk the chair.

The back is constructed so users with a protruding behind can get good support to their lumbar spine, a huge problem rarely met by any other chair!

Front wheels are placed in front of the seat pan to ensure an anterior anti-tip, which is very important taking into consideration that most bariatric users have a lot of weight placed in front of them.

The anterior anti-tip makes it possible for the user to get in and out of the wheelchair without the risk of tipping.

The XXL-Rehab Eclipse Wheelchair has disc brakes as an additional option.

Different types of front rigging complete the adjustment possibilities.

The chair can be used with different kinds of cushions.

- Can be reinforced to capacity of 450 kg
- Possible to adjust the chair according to body type, needs and resources

**MAX 270 kg / MAX 450 kg**



30° hydraulic back

## XXL-Rehab Eclipse Specifications

XXL-Rehab Eclipse	
Maximum weight capacity is	270 /450 kg
Total width	Seat width + 18 cm
Total length without footrests	87 cm
Seat width	50 / 55 / 61 / 66 / 72 / 76 / 82 / 92 / 102 / 112 cm
Seat depth	41-56 cm
Seat height	36-51 cm
Backrest height	65-75 cm
Adjustable back angle	Yes
Adjustable height of armrests	Yes
Detachable armrests	Yes
Height adjustable footrests	Yes
Folding/detachable armrests	Yes
Weight	Approx. 30 kg
ISO - classification	ISO 12 22 03 - 08



Disc brakes

### Ideal use for...

- Bariatric users.
- Hospitals.
- Nursing homes.
- Home.

Model	Seat width cm	Seat depth cm	Order No
XXL-Rehab Eclipse exclusive standard footrests	50	41-56	0120-050-000
XXL-Rehab Eclipse exclusive standard footrests	55	41-56	0120-055-000
XXL-Rehab Eclipse exclusive standard footrests	58	41-56	0120-058-000
XXL-Rehab Eclipse exclusive standard footrests	61	41-56	0120-061-000
XXL-Rehab Eclipse exclusive standard footrests	66	41-56	0120-066-000
XXL-Rehab Eclipse exclusive standard footrests	72	41-56	0120-072-000
XXL-Rehab Eclipse exclusive standard footrests	76	41-56	0120-076-000
XXL-Rehab Eclipse exclusive standard footrests	82	41-56	0120-082-000
XXL-Rehab Eclipse exclusive standard footrests	92	41-56	0120-092-000
XXL-Rehab Eclipse exclusive standard footrests	102	41-56	0120-102-000
XXL-Rehab Eclipse exclusive standard footrests	112	41-56	0120-112-000

Accessories	
Holder for oxygen bottle	0120-999-021
IV holder	0120-999-020
Headrest, adjustable	0121-999-010
Table (for seat width 55-72 cm)	0100-999-001
Disc brakes	0120-999-022B
Grow kit 5-16 cm	0120-999-030
Reinforcement of Eclipse to the capacity of 450 kg	0120-999-010
Reclining backrest	0120-999-032
Back extension	0120-999-033
Armrest desklength 12"-16" right	0120-999-078
Armrest desklength left	0120-999-077
Footrest standard swing-away right	0120-999-008
Footrest standard swing-away left	0120-999-009
Footrest elevating right	0120-999-006
Footrest elevating left	0120-999-007
Transit tie down kit	0120-999-065



# XXL-Rehab Eclipse Tilt

Strongly engineered and functionally designed exclusively for bariatric users!

The tilt mechanism allows up to 30 degrees tilt for optimal comfort and positioning for individuals needing more support. The tilt uplift force is adjustable allowing the chair to be easily tilted regardless of user weight.

The steel frame gives the XXL-Rehab Eclipse Tilt Wheelchair maximum strength and rigedness, and therefore also makes it a long lasting wheelchair.

The frame is designed so most of the user weight is carried on the rear wheels. The wheels are especially made for this wheelchair; they are extra hard and solid making propulsion and steering easy and with very little loss of energy!

The seat pan is solid. Various medical conditions demand a solid seatpan (fractures, hemiplegia, lateralshifts etc). Giving a bariatric user a solid seat pan facilitates a good posture and activeness in the chair.

The XXL-Rehab Eclipse Tilt Wheelchair has adjustable seat depth, seat height, seat to floor angle and seat to back angle. All of this makes it easy to adjust to any user!

The back is constructed so users with a protruding behind can get good support to their lumbar spine, a huge problem rarely met by any other chair!

Front wheels are placed in front of the seat pan to ensure an anterior anti-tip, which is very important taking into consideration that most bariatric users have a lot of weight placed in front of them. The anterior anti-tip makes it possible for the user to get in and out of the wheelchair without the risk of tipping.

Different types of front rigging complete the adjustment possibilities. The chair can be used with different kinds of cushions.

MAX 270 kg

- 30° tilt  
- Strong construction





# XXL-Rehab Eclipse Tilt Specifications

XXL-Rehab Eclipse Tilt	
Maximum weight capacity is	270 kg
Total width	Seat width + 25 cm
Total length without footrests	87 cm
Seat width	50 / 55 / 61 / 66 / 72 / 76 / 82 cm
Seat depth	41-56 cm
Seat height	41-51 cm
Backrest height	65-75 cm
Backrest angel adjustable	Yes
Armrest height adjustable	29-34 cm
Armrests removable	Yes
Footrests height adjustable	Yes
Footrests swing-away and removable	Yes
Weight	Approx. 32 kg
Operation	Manual
Flame-retardant cover	Yes
Color cover	Black
Color frame	Blue
Push handle	Yes
Quick release on rear wheels	Yes
Balance point adjustable	Yes
Fixed seat	Yes
Frame	Powder-lacquered steel
Rear wheels	24" solid PU tires
Casters	125 mm nylon with PU
Seat / backrest	Polyester / nylon
Armrests	Polyurethane
ISO - classification	ISO 12 22 03 - 08

**Ideal use for...**

- Bariatric users.
- Hospitals.
- Nursing homes.
- Home.



Gas strut

Model	Seat width cm	Seat depth cm	Order No
XXL-Rehab Eclipse Tilt	50	41-56	0121-050-000
XXL-Rehab Eclipse Tilt	55	41-56	0121-055-000
XXL-Rehab Eclipse Tilt	61	41-56	0121-061-000
XXL-Rehab Eclipse Tilt	66	41-56	0121-066-000
XXL-Rehab Eclipse Tilt	72	41-56	0121-072-000
XXL-Rehab Eclipse Tilt	82	41-56	0121-082-000

Accessories	Varenummer
Holder for oxygen bottle	0120-999-021
IV holder	0120-999-020
Headrest, adjustable	0121-999-010
Table (for seat width 55-72 cm)	0100-999-001
Back extension	0120-999-033
Armrest desklength 12"-16" right	0120-999-078
Armrest desklength left	0120-999-077

Accessories	Varenummer
Transit tie down kit	0120-999-065
Footrest swing-away right	0120-999-008
Footrest swing-away left	0120-999-009
Footrest elevating right	0120-999-006
Footrest elevating left	0120-999-007



# XXL-Rehab HD electric wheelchair

Strongly engineered and functionally designed exclusively for bariatric users!

The XXL-Rehab HD electric wheelchair is the obvious choice for bariatric users.

It has a heavy-duty construction with upgraded in-line dual motors and a reinforced frame for maximum durability. The wheelchair also offers solid springs on the front anti-tip. The electric wheelchair is simple and easy to use and many adjustments are possible to ensure a high degree of comfort. The wheelchair is equipped with the seating system "Synergy" which, among other things, can grow in both width and depth.

The wheelchair has superb maneuverability with a turning radius of only 131 cm. The patented mid-wheel drive design together with 16" drive wheels and 9" caster wheels provide unique stability for the user.

The wheelchair is both very reliable and safe to use. The operation of the wheelchair is quiet with a top speed of 8 km/h and it has Intelligent Braking which is electronic, regenerative disc brakes.

- Adjustable in seat width and depth
- Superb maneuverability
- Turns on minimum space

MAX 295 kg



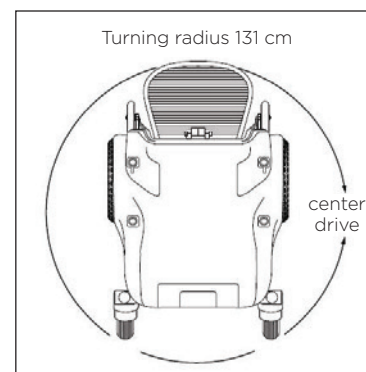
# XXL-Rehab HD electric wheelchair

## Specifications

XXL-Rehab HD electric wheelchair	
Maximum weight capacity is	295 kg
Seat width	61-71 cm
Total width	78 cm
Total length with footrests	130 cm
Seat depth	30-55 cm
Tilt	5°
Seat height without cushion	46-51 cm
Height seat to armrest	Adjustable
Weight with seat and batteries	Approx. 165 kg
Ground clearance	10 cm
Height adjustable armrests	Yes
Adjustable footrests	36-43.5 cm
Folding footrests	Yes
Removable footrests	Yes
Height adjustable footrests	Yes
Head rest	Yes
Speed, max.	8 km/h
Range per charge	Approx. 24 km
Turning radius	131 cm
Drive wheels	16"
Front casters	9"
Rear casters/anti-tip wheels	8"
Batteries	Two 12 volt, deep cycle, Group 24
Battery weight	24 kg x 2
Battery charger	8 Amp, off-board
ISO - classification	ISO 12 23 06 - 08

### Ideal use for...

- Bariatric users where there is limited space.



Model	Seat width cm	Seat depth cm	Order No
XXL-Rehab HD electric wheelchair	61-71	30-55	0500-066-000

Accessories	
Headrest, adjustable	0500-999-010
Footrest, angle adjustable right	0500-999-020
Footrest, angle adjustable left	0500-999-021
Lap belt, adjustable 228 cm	0500-999-030
Dual cane holder	0500-999-040
Rear basket	0500-999-050
Swing-away joystick mount. right	0500-999-060
Swing-away joystick mount. left	0500-999-061



# XXL-Rehab Transporter

Strongly engineered and functionally designed exclusively for bariatric users!

The XXL-Rehab Transporter is designed for easy indoor transport inside hospitals. Another aim in the design was no upkeep and easy to disinfect contra normal wheelchairs.

The basket under the chair is made so that belongings etc can follow the patient during transit.

It is designed for easy access, independence, safety and on the caregiver terms. The 24" rear wheels provide more directional stability and smooth pushing.

The inside width of the XXL-Rehab Transporter is 71 cm, but using a 5 cm high PU foam seat and 7 cm free space to the armrests allows the body mass to fall down, instead of fading out to the sides. The impossible "wide inside but small outside" is obtained.

The footrest is always the weak point when it comes to bariatric products. Normally the producer makes a short cut here, by using a standard solution. We did not only design the footrest to carry 100 kg each, we did more!

The footrest is also side/width adjustable, so access to intimate hygiene is possible and people with the fat-tissue placed on the inside of their leg can sit with legs apart (up to 110 cm) and still have foot support. The brand new footrest is even nicely covered with PU foam.

The ability for bariatric users to reach far back to reach the armrest is usually not present. Therefore we have made the armrests with a length of 64 cm and let it stick out 7 cm from the seat base, ready to welcome and support the hands of mobile users. It enables the user to get into the chair by him/herself. The swing away armrests can be taken off.

The space between backrest and seat has a clearance of 32 cm. This gives space for a possible bulbous gluteal region, but also enables the caregivers to reach for a sling and position the user better.

- Easy indoor transport
- Easy to disinfect
- No upkeep
- Large 24" rear wheels with parking brake
- Robust armrests provide optimal user support and safety
- Basket for belongings

MAX 325 kg





## XXL-Rehab Transporter Specifications

XXL-Rehab Transporter	
Maximum weight capacity is	325 kg
Seat width with standard armrests	71 cm
Total outer width with standard armrests	78 cm
Seat depth	56 cm
Seat height	55 cm
Backrest	32-52 cm
Seat to footrest	40-42-44-46-48 cm
Width of footrest (total outer width changes)	58-110 cm
Pushbar from floor	100 cm
Width between armrests	54 cm
Height of backrest	48 cm
Height of footrests	40-48 cm
Distance from floor to seat underside	44.5 cm
Total length	129 cm
Total weight	30 kg
Front wheels	125 mm
Rear wheels	24"
Seat	Pressure moulded PUR foam
Frame	Powder-lacquered chromium molybdenum steel
Footrest cover	PU foam
ISO - classification	ISO 09 12 03



### Ideal use for...

- Bariatric users.
- Bariatric departments.
- Institutions.
- Hospitals.

Model	Seat width cm	Seat depth cm	Order No
XXL-Rehab Transporter	71	56	0182-071-000



# XXL-Rehab Anatomical cushion

Strongly engineered and functionally designed exclusively for bariatric users!

This wheelchair cushion is designed exclusively for bariatric users at risk of developing pressure sores.

It is made of a molded base 11 cm firm foam and with a 3 cm Viscoelastic foam on the top.

The molded base provides increased stability and seat support and provides unique pressure relief on the Tuber Ischii.

The cushion is 14 cm high and has a 2 way stretch vapour permeable incontinence and flame resistant cover.

- Anatomically shaped  
- 2 way stretch incontinence cover

**MAX 325 kg**



XXL-Rehab Anatomical cushion	
Maximum weight capacity is	325 kg
Weight Approx.	3 kg
Basis cushion	HD PUR foam / Viscoelastic PUR foam
Cover	PU
Incontinence cover	Yes
Washable cover	Yes
Flame retardant cover	Yes

**Ideal use for...**

- Bariatric users.
- Users at risk for developing pressure ulcers.

Model	Seat width cm	Seat depth cm	Height cm	Maximum weight capacity	Order No
XXL-Rehab Anatomical cushion	56	50	14	325	0233-056-050
XXL-Rehab Anatomical cushion	61	50	14	325	0233-061-050
XXL-Rehab Anatomical cushion	66	50	14	325	0233-066-050
XXL-Rehab Anatomical cushion	71	50	14	325	0233-071-050
XXL-Rehab Anatomical cushion	81	50	14	325	0230-081-050
XXL-Rehab Anatomical cushion	91	50	14	325	0233-091-050
XXL-Rehab Anatomical cushion	96	50	14	325	0233-096-050
XXL-Rehab Anatomical cushion	100	50	14	325	0233-100-050

Accessories	
Cover for XXL-Rehab Anatomical cushion	0233-999-099



# XXL-Rehab Comfort cushion

Strongly engineered and functionally designed exclusively for bariatric users!

This cushion is developed exclusively for bariatric users who need prophylaxis that lasts over a longer periode.

The cushion is made of viscoelastic foam on the top and springs cut into the underbase of foam.

The patented system of springs distribute the pressure to a larger surface and assure pressure relief.

The cushion is 12 cm high and has a 2 way stretch vapour permeable incontinence.

- Viscoelastic top
- 2 way stretch incontinence cover

**MAX 325 kg**



XXL-Rehab Comfort cushion	
Maximum weight capacity is	325 kg
Weight	Approx. 2 kg
Basis cushion	HD PUR foam /Viscoelastic PUR foam
Cover	PU
Incontinence cover	Yes
Washable cover	Yes
Flame retardant cover	Yes

### Ideal use for...

- Bariatric users.
- Users at risk for developing pressure ulcers.

Model	Seat width cm	Seat depth cm	Height cm	Maximum weight capacity	Order No
XXL-Rehab Comfort cushion	55	45	12	325	0230-055-045
XXL-Rehab Comfort cushion	61	45	12	325	0230-061-045
XXL-Rehab Comfort cushion	66	45	12	325	0230-066-045
XXL-Rehab Comfort cushion	72	45	12	325	0230-072-045
XXL-Rehab Comfort cushion	82	45	12	325	0230-082-045

Accessories	
Cover for XXL-Rehab Comfort cushion 55 cm width	0230-055-100
Cover for XXL-Rehab Comfort cushion 61 cm width	0230-061-100
Cover for XXL-Rehab Comfort cushion 66 cm width	0230-066-100
Cover for XXL-Rehab Comfort cushion 72 cm width	0230-072-100
Cover for XXL-Rehab Comfort cushion 82 cm width	0230-082-100



# XXL-Rehab Patient/Dinner Chair

Strongly engineered and functionally designed exclusively for bariatric users!

The armrests are constructed so they go beyond the seat. This makes it easy both to get a good grip when a person wants to sit down but also to get up again.

We have designed the armrests to bend out like a butterfly, so the body doesn't get squeezed, getting in and out the chair. The butterfly armrests of the XXL-Rehab Patient/Dinner chair also provide much better functionality for the user, compared to other chairs with straight and short armrests where it is almost impossible for a bariatric user to get a good grip.

The height of the chair is adjustable from 44 to 59 cm. It is very important to adjust the chair to the right height to have success getting in and out of the chair. If the chair is too high for the user, the feet will lift off the ground, making it hard to get seated in the chair. If the chair is too low, the user will have trouble getting up.

It is often a problem for bariatric users to be seated comfortably. Sometimes the seat depth is too short, sometimes too deep and with no back support. We have designed the seat to be individually adjusted to provide a comfortable seating. The backrest can be moved +/- 6 cm and the bended tubing assures that the right comfort can be found.

It is made easy to both handle and move the chair from place to place. In the construction of the chair we have only used high-tech lightweight tubing, to provide the highest strength at the lowest weight.

**MAX 325 kg**

XXL-Rehab Patient/Dinner Chair	
Maximum weight capacity is	325 kg
Seat width	61 cm / 71 cm
Total length	80-101 cm
Seat depth	40-52 cm
Seat height	44-59 cm
Backrest height	37 cm
Distance from floor to seat underside	33-48 cm
Total width	69 cm / 79 cm
Total height	79-94 cm
Total weight	16.6 kg / 17.6 kg
Total outer width on armrests	74 cm / 84 cm
Seat / back / armrests	Polyurethan
Frame	Powder-lacquered chromium molybdenum steel
ISO - classification	ISO 09 33 03



- Adjustable seat height
- Adjustable seat depth
- Long stabile armrests
- Padded armrests
- Available in 2 sizes

### Ideal use for...

- Bariatric users.
- Home.
- Care centres.
- Waiting rooms.

Model	Seat width cm	Seat depth cm	Seat height cm	Order No
XXL-Rehab Patient/Dinner Chair	61	40-52	44-59	0160-061-000
XXL-Rehab Patient/Dinner Chair	71	40-52	44-59	0160-071-000





# XXL-Rehab Office Chair

Strongly engineered and functionally designed exclusively for bariatric users!

This office chair is comfortable and provides good working positions at any place. The seat is well padded, providing good pressure relief and a comfortable sitting position for a long time.

The chair comes in 2 widths 62 cm and 72 cm and has adjustable depth (40 / 45 / 50 cm) by moving the armrests and the back. The user can transfer vertically due to the electric seat hoist and the smooth-running wheels, making it easier to live an active life at home.

The chair has a strong safety construction, durable wheels with heavy duty bearings easy to drive and a weight capacity of 275 kg. The chair has a hand operated brake.

XXL-Rehab Office Chair has electric height adjustment with double cylinders which makes the hoist extra strong. The hoist has a lift span of either 20 or 28 cm which makes the chair easy to adjust to the correct working height. The electric hoist is easy to operate pushing the button located under the armrest.

The backrest is reinforced and mounted on a tube which can be adjusted in angle and depth. The armrests can be folded down and have continuously adjustable conical track, ensuring that they never detach.

The office chair comes with strong upholstery that is stain resistant and fire retardant.

**MAX 275 kg**

XXL-Rehab Office Chair	
Maximum weight capacity is	275 kg
Frame width	56 cm
Seat width	62 / 72 cm
Seat depth	40 / 45 / 50 cm
Seat height	44-64 / 51-79 cm
Backrest width	46 / 66 cm
Backrest height	43 cm
Adjustable armrest in width	Yes
Adjustable armrest	25-35 cm
Weight	Approx. 40 kg
Cover colour	Grey
Fire retardent cover	Yes
Frame	Powder coated steel
Lifting system	Heavy-duty actuator
Castor	100 mm polyurethane
Cover	100% polyester
Charger	230V
ISO - classification	ISO 18 09 03 - 12

Model	Seat width cm	Seat depth cm	Seat height cm	Order No
XXL-Rehab Office Chair	62	40	44-64	0190-062-040
XXL-Rehab Office Chair	62	45	44-64	0190-062-045
XXL-Rehab Office Chair	62	50	44-64	0190-062-050
XXL-Rehab Office Chair	62	40	51-79	0190-062-140
XXL-Rehab Office Chair	62	45	51-79	0190-062-145
XXL-Rehab Office Chair	62	50	51-79	0190-062-150
XXL-Rehab Office Chair	72	40	44-64	0190-072-040
XXL-Rehab Office Chair	72	45	44-64	0190-072-045
XXL-Rehab Office Chair	72	50	44-64	0190-072-050
XXL-Rehab Office Chair	72	40	51-79	0190-072-140
XXL-Rehab Office Chair	72	45	51-79	0190-072-145
XXL-Rehab Office Chair	72	50	51-79	0190-072-150



- Comfortable seat providing good pressure relief  
- Maximum weight capacity up to 275 kg

**Ideal use for...**

- Bariatric users





## Content

2-3	XXL-Rehab Minimaxx	12-13	XXL-Rehab Transporter
4-5	XXL-Rehab Minimaxx with Push Motor	14	XXL-Rehab Anatomical cushion
6-7	XXL-Rehab Eclipse	15	XXL-Rehab Comfort cushion
8-9	XXL-Rehab Eclipse Tilt	16	XXL-Rehab Patient/Dinner Chair
10-11	XXL-Rehab HD electric wheelchair	17	XXL-Rehab Office Chair



# COBI REHAB<sup>®</sup>

The Positioning Company

**COBI REHAB**  
Fuglebækvej 1D  
DK-2770 Kastrup  
Denmark  
Tel. +45 7025 2522  
[www.cobirehab.com](http://www.cobirehab.com)